

33930

ONE TOUCH FASTENERS

Material

Body: steel, nickel plated.

Technical Notes

One-touch fasteners are the ideal solution for applications requiring rapid and recurring change over of tooling or set ups. Use in applications as diverse as bottling processes, machine covers, changing of

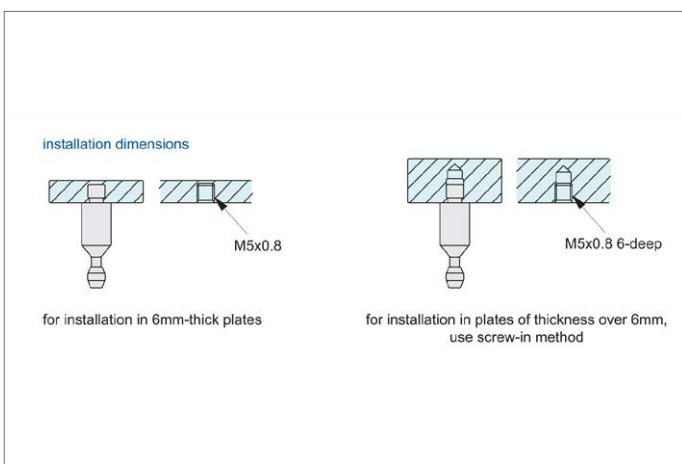
cogs and drive belts. One-touch fasteners provide a quick, simple and secure change over solution - no time waste in unfastening screws or other permanent fixings, and no opportunity for lost fixings in your machinery.

Important Notes

Pin 33930 is for use inconjunction with

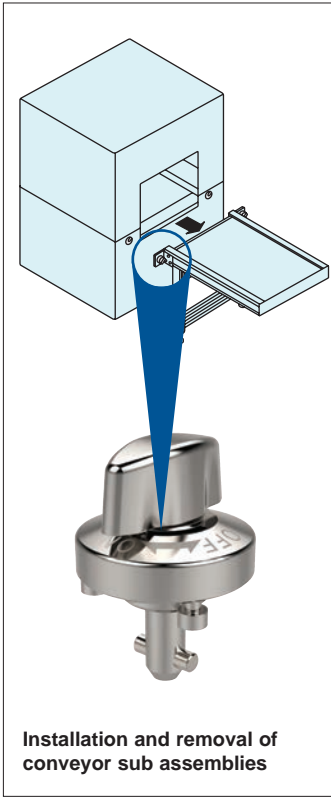
one-touch fasteners, ball clamping; 33934 and 33936. Suitable for panels/enclosures of 6 to 20 mm thickness. Requires an M 6 thread, 6mm deep for installation into blind hole. See technical pages for further information.

Order No.	d_1 -0.2 -0.4	h_1	h_2	h_3	m	A/F	Weight g
33930.W0008	Ø8	23	5	4	M 5x0,8	6	7

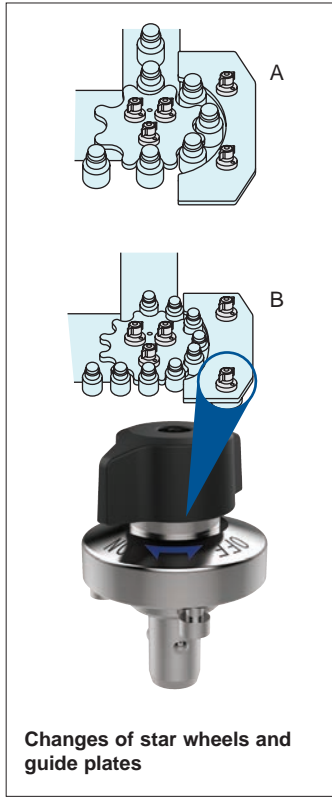




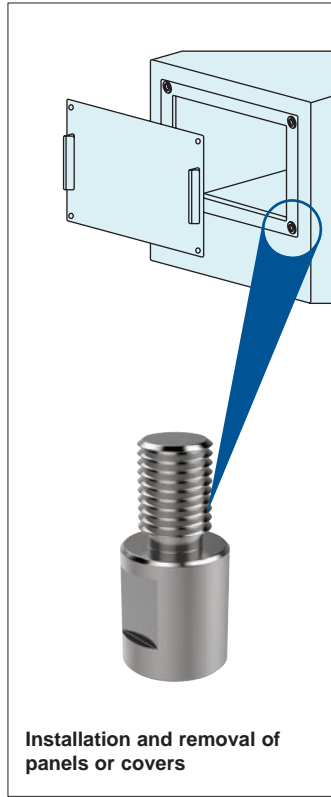
One-Touch Fasteners - Alternatives to Screws



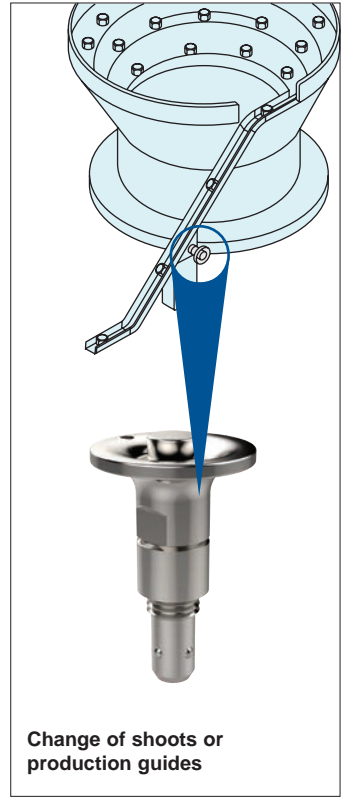
Installation and removal of conveyor sub assemblies



Changes of star wheels and guide plates



Installation and removal of panels or covers



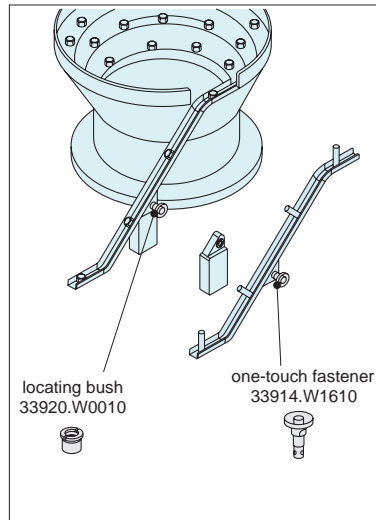
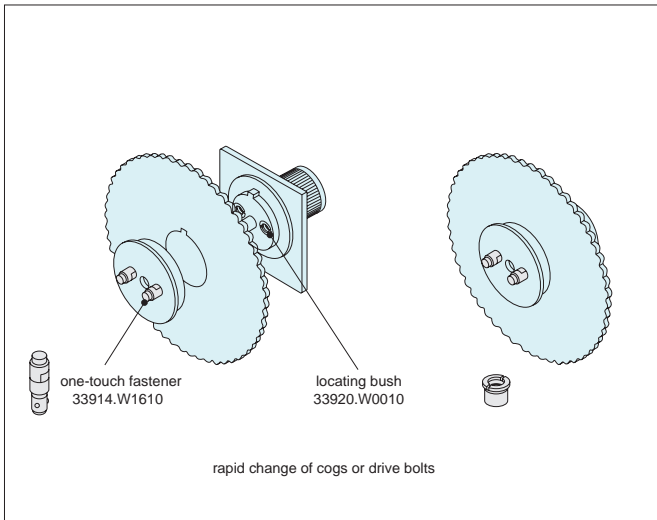
Change of shoots or production guides

Easy & Secure! For Quick Changeover with No Tools!



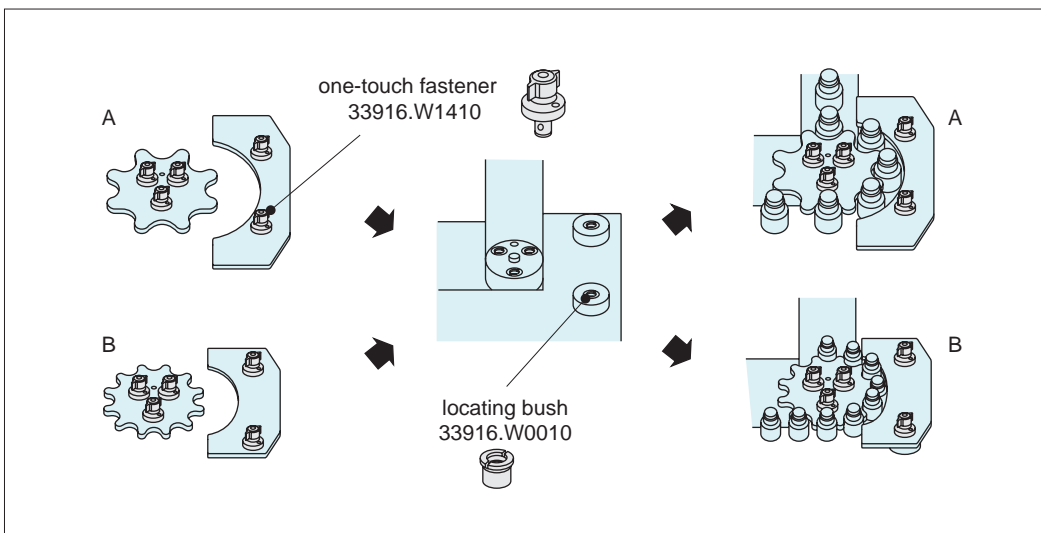


One-Touch Change Over

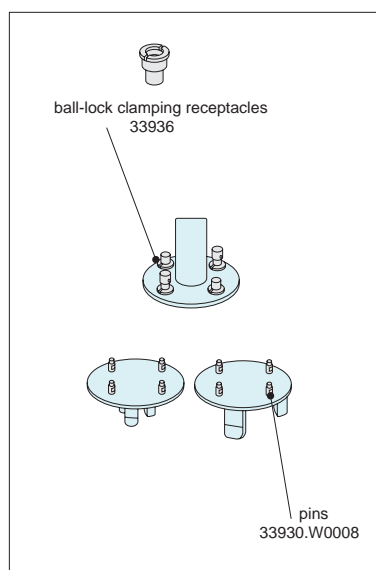
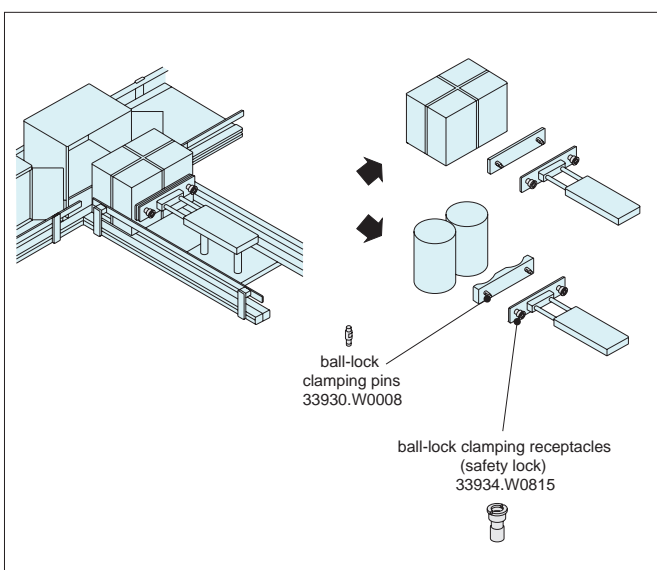


Installation and Removal of Rotary Blades and Changes of Shooters

ONE TOUCH FASTENERS



Changes of Star Wheels and Guide Plates



Changes of Pusher and Changes of Chuck Handling Machines

ov-W33910-A-T-W33956-A-T-one-touch-fasteners-b-rmh - Updated - 27-10-2022