

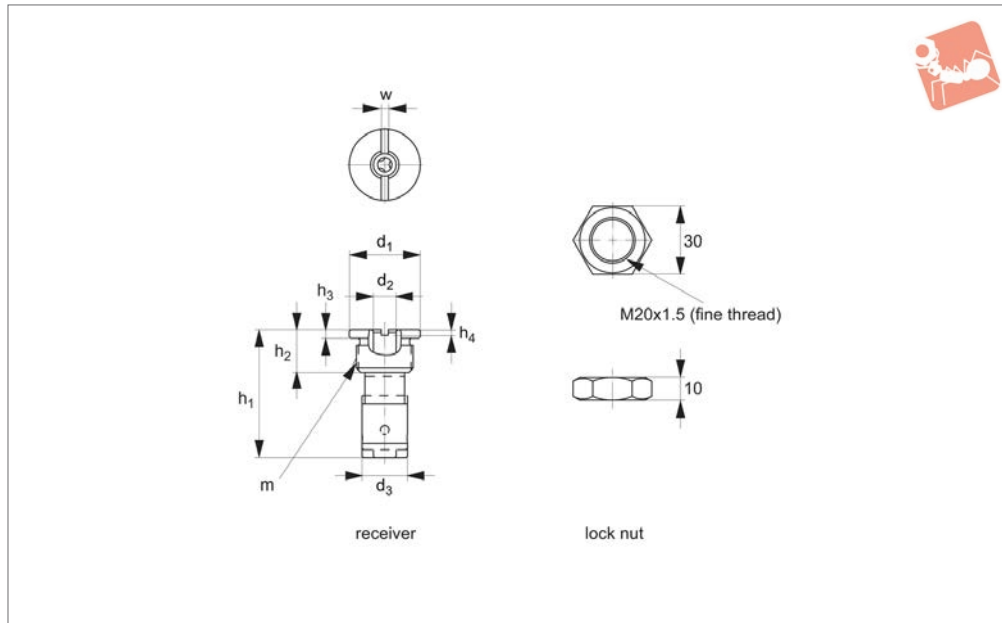


One-Touch Fastener - Ball Clamping

locating bush and receiver - safety release



One Touch Fasteners



33934

ONE TOUCH FASTENERS

Material

Body: steel, nickel plated.
Balls: stainless steel.

Technical Notes

One-touch fasteners are the ideal solution for applications requiring rapid and recurring change over of tooling or set ups. Use in applications as diverse as bottling processes, machine covers, changing of cogs and drive belts. One-touch fasteners provide a quick, simple and secure change

over solution - no time waste in unfastening screws or other permanent fixings, and no opportunity for lost fixings in your machinery.

Temperature resistant to 180°C.

Important Notes

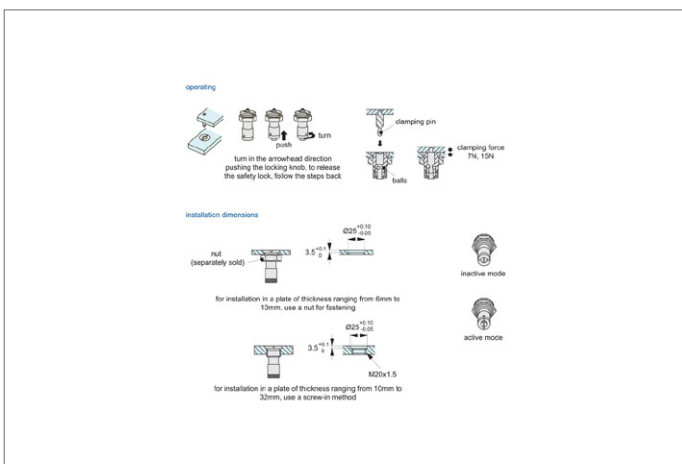
Suitable for panels/enclosures of 6 to 32 mm thickness. Used in conjunction with pin 33930. Offers a safety release feature to prevent accidental release in of pin/assembly.

* Tensile strength stated is for locked position/state of the fastener.

Actuation:

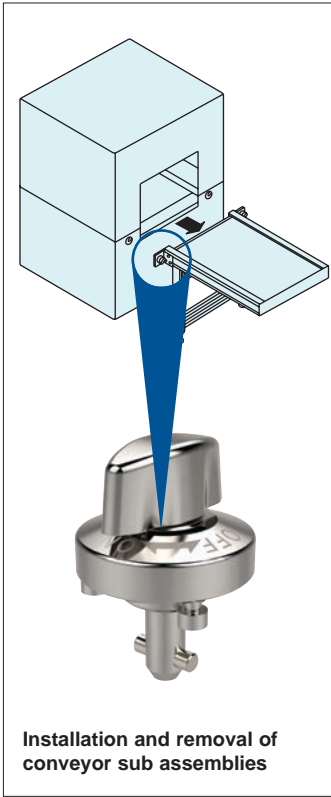
Engage pin into receiver, a positive „click“ is heard, securing balls are engaged. Panels are securely fastened. To release, pull safety release housing on under side of receiver, balls are retracted and panel is released.

| Order No. | Type | d ₁ tol. h9 | d ₂ +0.10 +0.50 | d ₃ | h ₁ | h ₂ | h ₃ | h ₄ | m | w | Clamping force N | Shear strength N | Tensile strength N | Weight g |
|--------------------|----------|---------------------------|-----------------------------------|----------------|----------------|----------------|----------------|----------------|---------|-----|---------------------|---------------------|-----------------------|-------------|
| 33934.W0807 | Receiver | Ø26 | Ø8 | Ø16 | 45 | 15 | 3 | 2 | M20x1,5 | 2,5 | 7 | 1800 | 1800 | 65 |
| 33934.W0815 | Receiver | Ø26 | Ø8 | Ø16 | 45 | 15 | 3 | 2 | M20x1,5 | 2,5 | 17 | 1800 | 1800 | 65 |

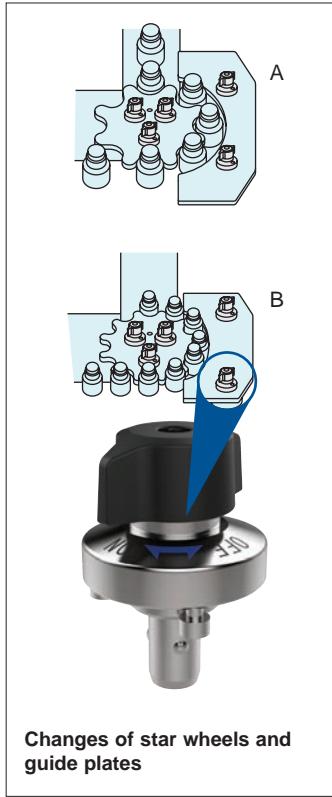




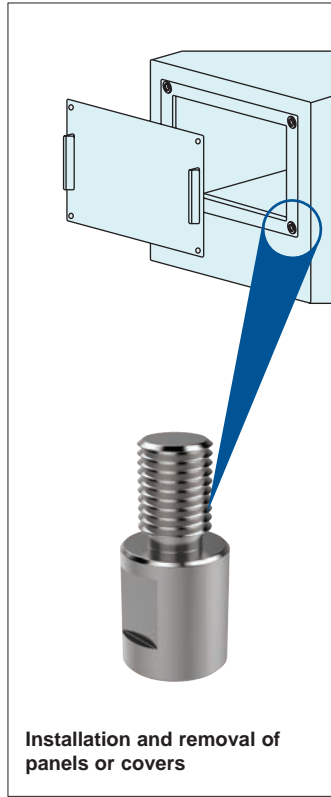
One-Touch Fasteners - Alternatives to Screws



Installation and removal of conveyor sub assemblies



Changes of star wheels and guide plates



Installation and removal of panels or covers



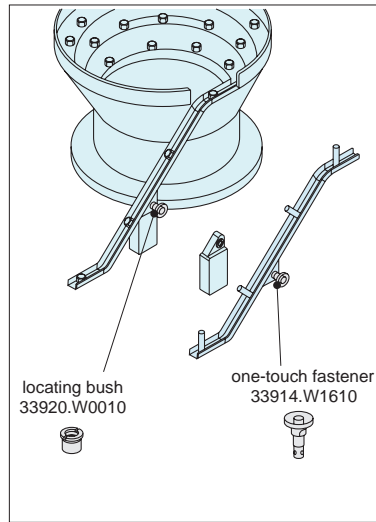
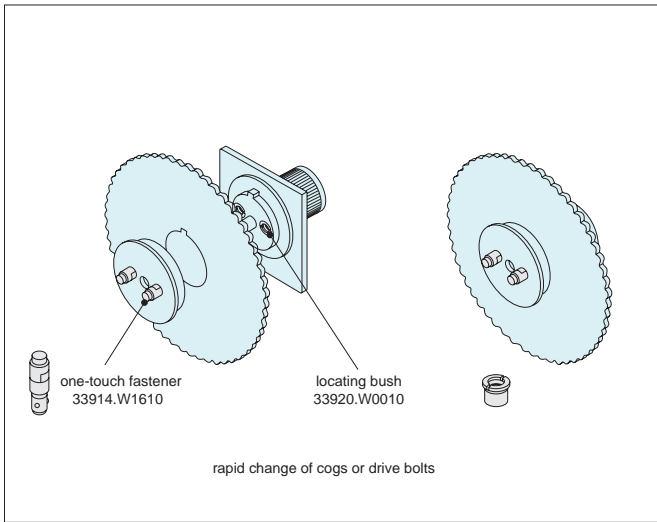
Change of shoots or production guides

Easy & Secure! For Quick Changeover with No Tools!



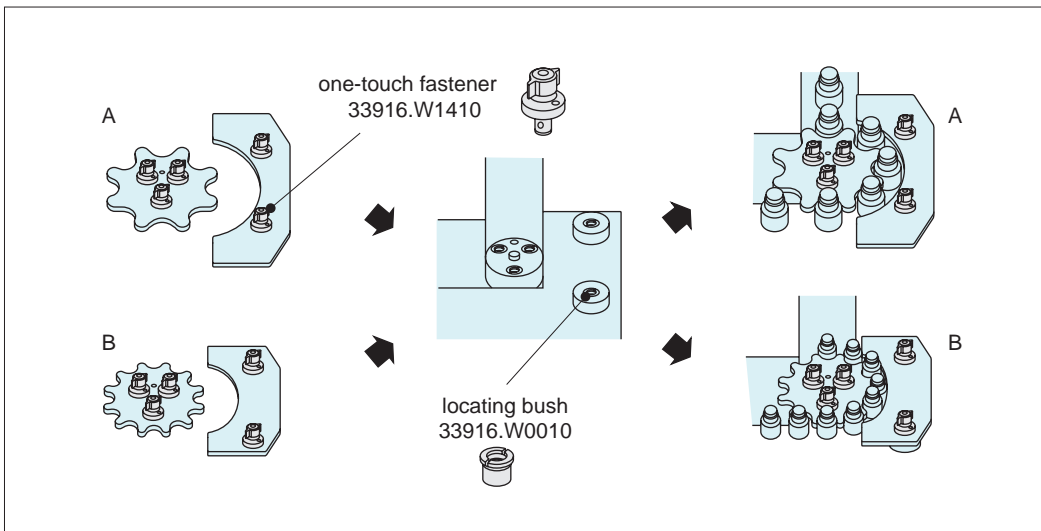


One-Touch Change Over

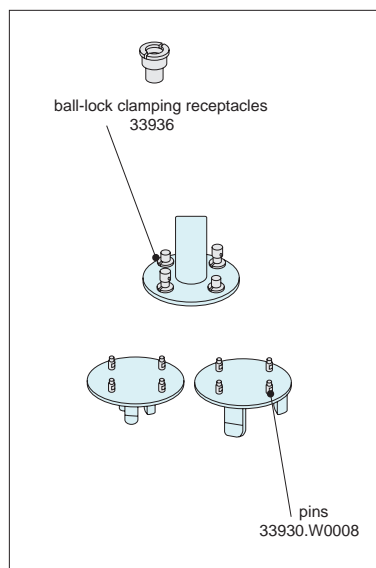
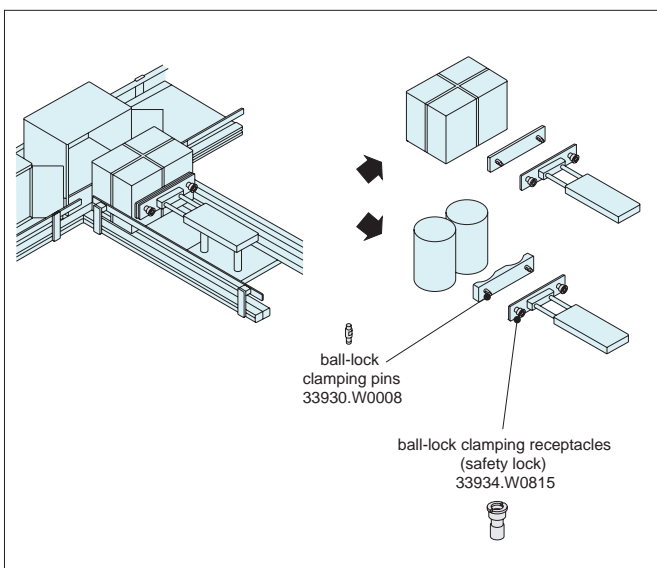


Installation and Removal of Rotary Blades and Changes of Shooters

ONE TOUCH FASTENERS



Changes of Star Wheels and Guide Plates



Changes of Pusher and Changes of Chuck Handling Machines

ov-W33910-A-T-W33956-A-T-one-touch-fasteners-b-rmh - Updated - 27-10-2022