

**33960**

ONE TOUCH FASTENERS

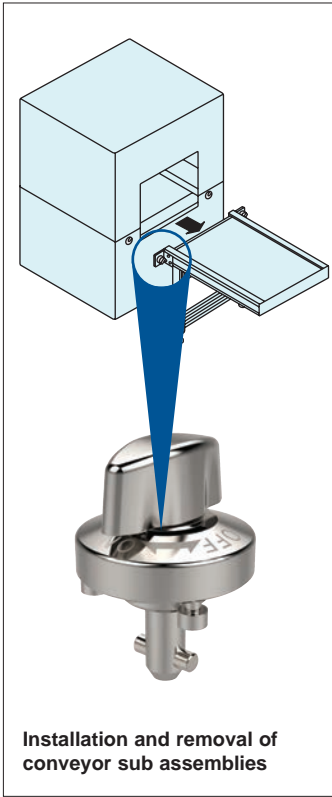
### Material

Stainless steel.

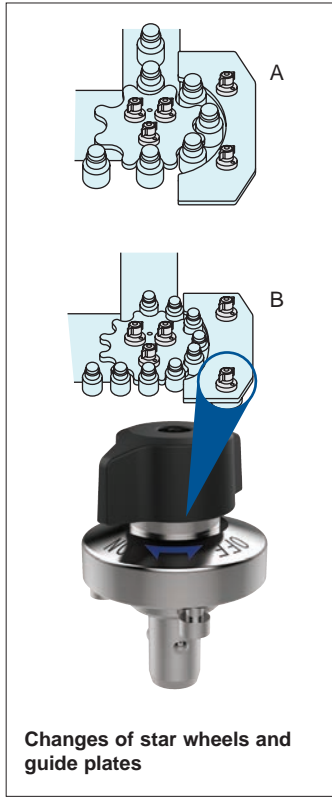
Order No.	d	d <sub>1</sub>	d <sub>2</sub>	h	h <sub>1</sub>	h <sub>2</sub>	l	l <sub>1</sub>	l <sub>2</sub>	m	w	w <sub>1</sub>	Clamping force N	Shear strength	Tensile strength	Proper base plate thickness	Proper plate thickness	Weight g
<b>33960.W6123</b>	6,5	23	6,5	40	32	5,5	12,5	6,5	10,5	M12x1 (Fine thread)	10	19	3	200	150	3	3~8	41
<b>33960.W6126</b>	6,5	23	6,5	37	29	5,5	12,5	6,5	13,5	M12x1 (Fine thread)	10	19	3	200	150	6	3~8	40
<b>33960.W8123</b>	8,5	32	10	51	41,5	7	16,5	6,5	11	M16x1 (Fine thread)	14	24	6	400	300	3	3~12	88
<b>33960.W8126</b>	8,5	32	10	48	38,5	7	16,5	9,5	14	M16x1 (Fine thread)	14	24	6	400	300	6	3~12	88



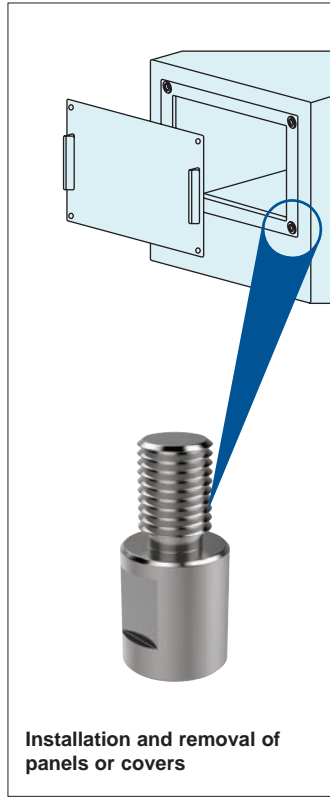
One-Touch Fasteners - Alternatives to Screws



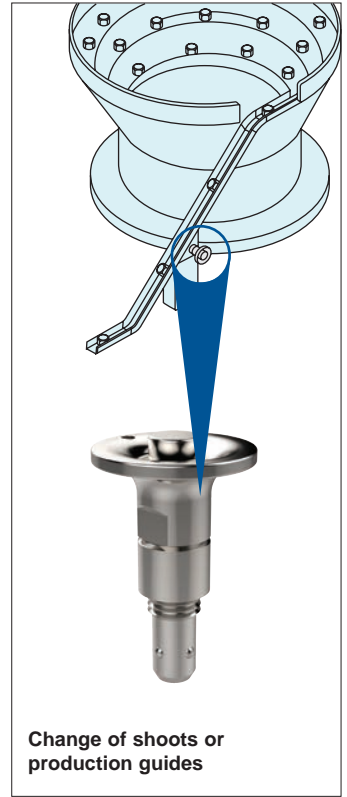
Installation and removal of conveyor sub assemblies



Changes of star wheels and guide plates



Installation and removal of panels or covers



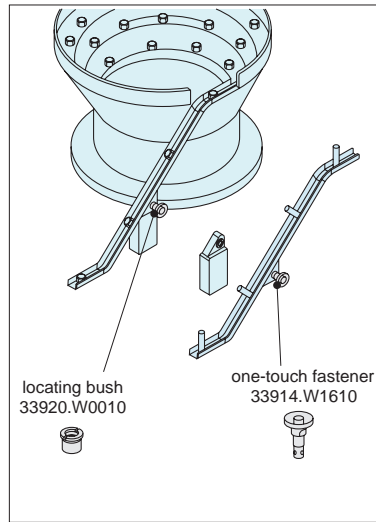
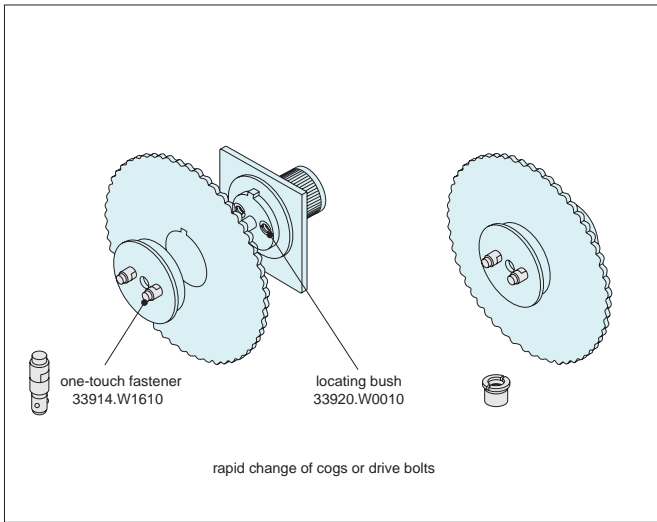
Change of shoots or production guides

Easy & Secure! For Quick Changeover with No Tools!



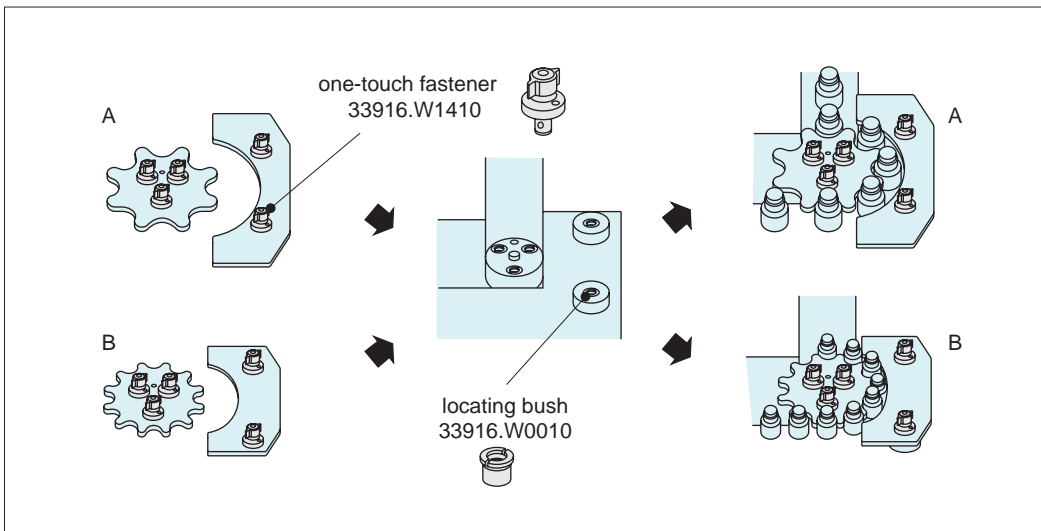


### One-Touch Change Over

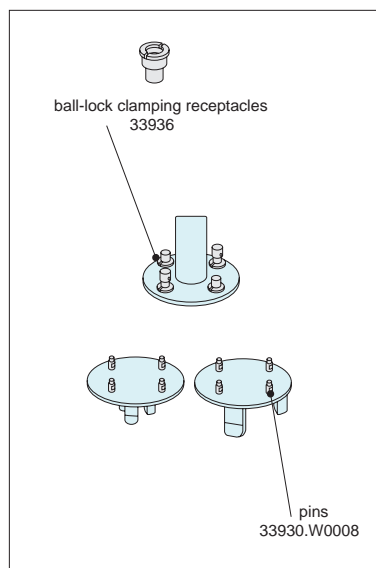
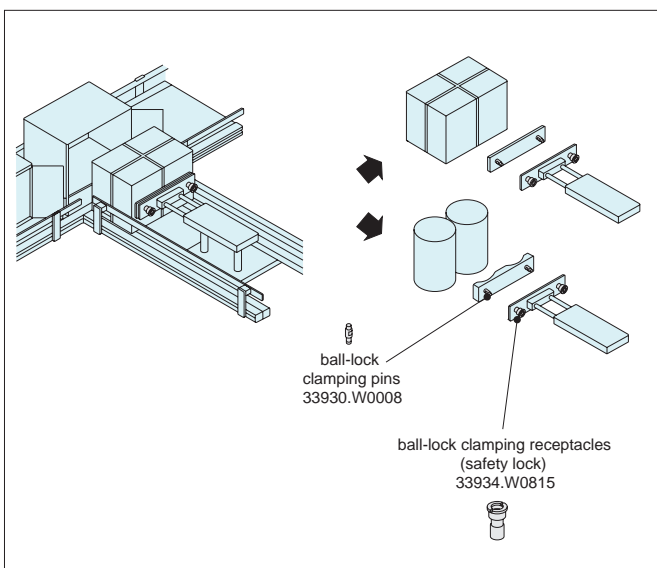


### Installation and Removal of Rotary Blades and Changes of Shooters

ONE TOUCH FASTENERS



### Changes of Star Wheels and Guide Plates



### Changes of Pusher and Changes of Chuck Handling Machines

ov-W33910-A-T-W33956-A-T-one-touch-fasteners-b-rmh - Updated - 27-10-2022