

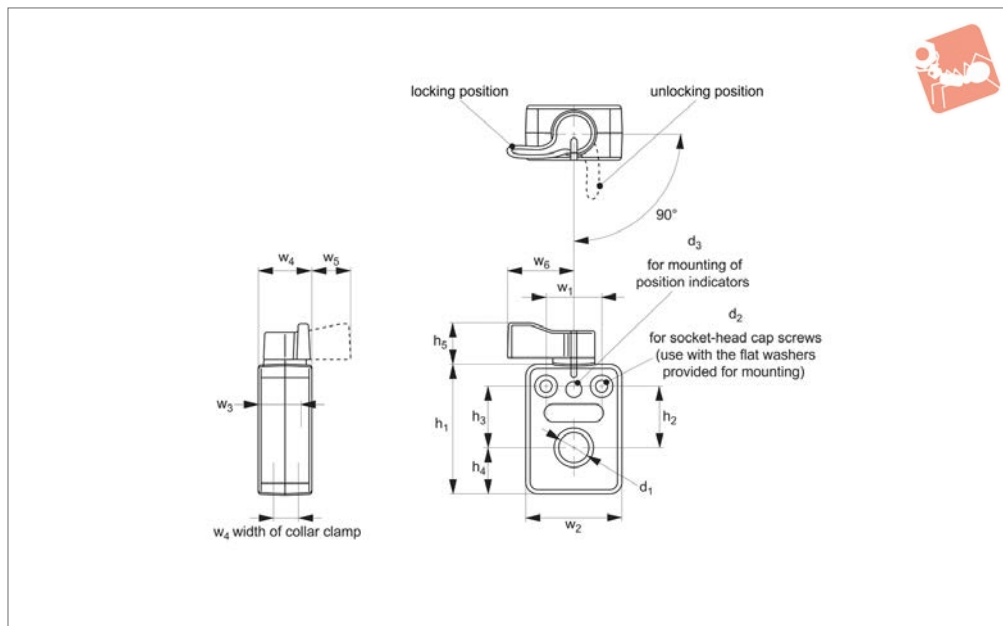


Sliding Clamps - for Solid Round Bar

quarter turn lock- l-handle grip - polyamide



One Touch Fasteners



33980

ONE TOUCH FASTENERS

Material

Housing: Polyamide (glass-fibre reinforced)

Boss: Polyamide (glass-fibre reinforced)

Base: Polyamide (glass-fibre reinforced)

Insert: Stainless steel

Technical Notes

It has teeth inside and it engages at every 7.2° (=360°/ 50).

33981 pulls the spindle by the inner spring with 70N force to prevent chattering of the spindle. Note: The spindle should be fully inserted into the knob for 25mm.

Order No.	Handle	d ₁ for shaft dia. tol. h7	d ₂	d ₃	h ₁	h ₂	h ₃	h ₄	Weight g
33980.W1308	Orange	8	M 4	6	48.5	23.5	22	17	50
33980.W1310	Orange	10	M 4	6	48.5	23.5	22	17	50
33980.W1312	Orange	12	M 4	6	48.5	23.5	22	17	50
33980.W1314	Orange	14	M 4	6	48.5	23.5	22	17	50
33980.W1512	Orange	12	M 5	6	69.0	17.0	30	26	100
33980.W1515	Orange	15	M 5	6	69.0	17.0	30	26	100
33980.W1516	Orange	16	M 5	6	69.0	17.0	30	26	100
33980.W1520	Orange	20	M 5	6	69.0	17.0	30	26	100
33980.W2308	Black	8	M 4	6	48.5	23.5	22	17	50
33980.W2310	Black	10	M 4	6	48.5	23.5	22	17	50
33980.W2312	Black	12	M 4	6	48.5	23.5	22	17	21
33980.W2314	Black	14	M 4	6	48.5	23.5	22	17	21
33980.W2512	Black	12	M 5	6	69.0	17.0	30	26	100
33980.W2515	Black	15	M 5	6	69.0	17.0	30	26	100
33980.W2516	Black	16	M 5	6	69.0	17.0	30	26	100
33980.W2520	Black	20	M 5	6	69.0	17.0	30	26	34

Order No.	h ₅	w ₁	w ₂	w ₃	w ₄	w ₅	w ₆	Allowable holding torque	
								Nm max.	Nm max.
33980.W1308	15.5	21	36	14.0	20	15	25	3	400
33980.W1310	15.5	21	36	14.0	20	15	25	3	400
33980.W1312	15.5	21	36	14.0	20	15	25	4	400
33980.W1314	15.5	21	36	14.0	20	15	25	4	400
33980.W1512	15.5	34	51	12.5	20	15	25	5	500
33980.W1515	15.5	34	51	12.5	20	15	25	5	500
33980.W1516	15.5	34	51	12.5	20	15	25	6	500
33980.W1520	15.5	34	51	12.5	20	15	25	6	500
33980.W2308	15.5	21	36	14.0	20	15	25	3	400
33980.W2310	15.5	21	36	14.0	20	15	25	3	400
33980.W2312	15.5	21	36	14.0	20	15	25	4	400
33980.W2314	15.5	21	36	14.0	20	15	25	4	400
33980.W2512	15.5	34	51	12.5	20	15	25	5	500

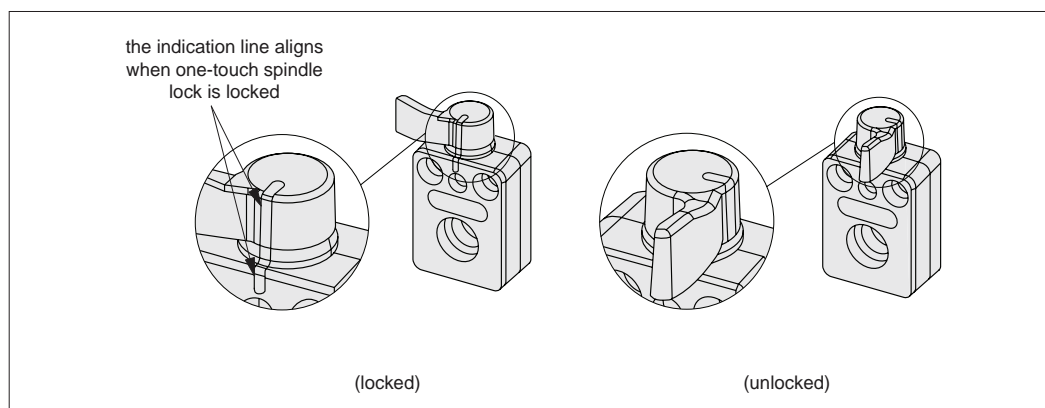


Order No.	h ₅	w ₁	w ₂	w ₃	w ₄	w ₅	w ₆	Allowable holding torque Nm max.	Allowable sliding torque Nm max.
33980.W2515	15.5	34	51	12.5	20	15	25	5	500
33980.W2516	15.5	34	51	12.5	20	15	25	6	500
33980.W2520	15.5	34	51	12.5	20	15	25	6	500

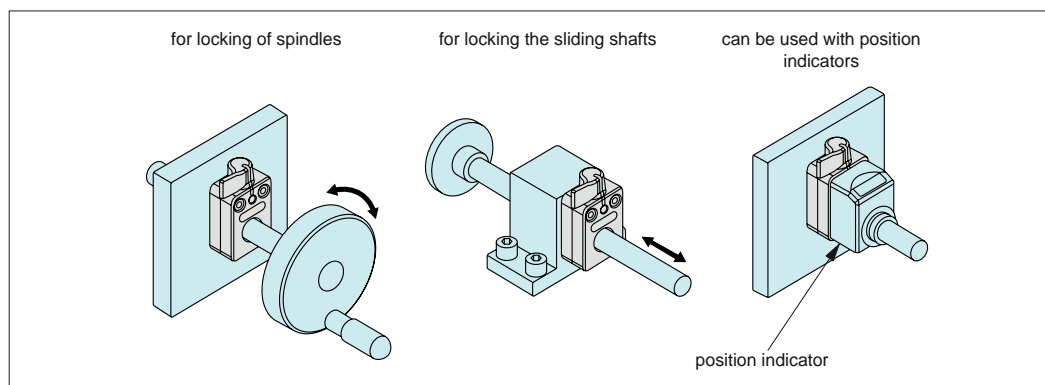


Operating Principle

- One-touch spindle locks enable quick and secure locking of shafts with one click of the knob.
- When one-touch spindle lock is operated, the knob clicks and the shaft is locked with a steady force. This provides reliable locking of shafts.
- The knob position and the indication line clearly indicate lock/unlock position.

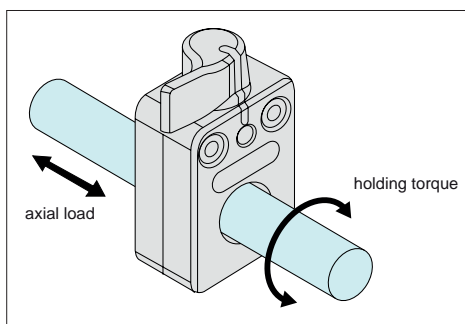


Operating Instructions



Load Ratings

For shaft $\varnothing h_7$	d_2	Max. holding torque Nm	Max. axial load N
8	M4	3	400
10	M4	3	400
12	M4	4	400
14	M4	4	400
12	M5	5	500
15	M5	5	500
16	M5	6	500
20	M5	6	500



One-touch spindle locks can fix both revolving and sliding shafts.

Notes

- This product cannot be used as bearings or guides for shafts.
- Shafts may slip in environments where shocks or vibrations are present.
- The allowable holding torque and the allowable sliding load may decrease with adhesion of particles or immersion in oil.