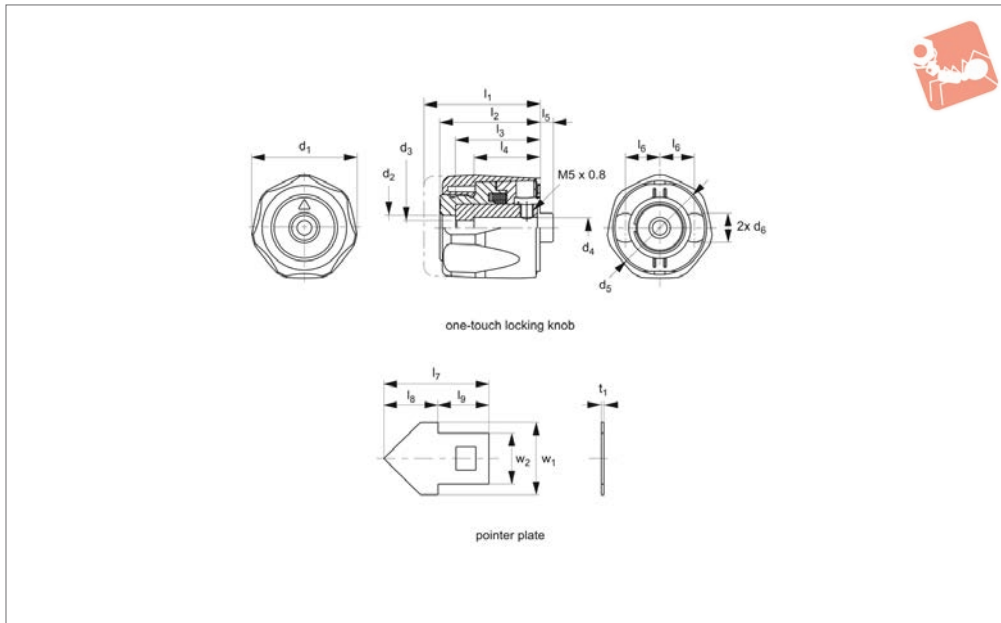




One-Touch Locking Knobs with safety indicator



One Touch Fasteners



33981

ONE TOUCH FASTENERS

Material

Grip: reinforced polyamide, black or orange.
 Central boss: reinforced polyamide, blue.
 Base indicator: reinforced polyamide, red.
 Pointer palte: stainless steel A2.
 Supplied with screws.

Technical Notes

One- touch locking knob enables one-touch locking and unlocking of spindle. One-Touch locking knob has an audible click to indicate locking and unlocking. Additionally the high visibility red colour of the base indicator is exposed to signify

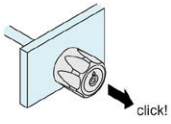
when knob is unlocked (when locked the red indicator is concealed).

Important Notes

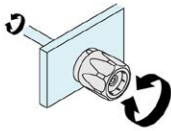
* Safety factor of 5.
 Pointer plate sold separately.

Order No.	d ₁	d ₂	d ₃	d ₄	d ₅	d ₆ -0.2	l ₁	l ₂	l ₃	l ₄	l ₅	Weight g
33981.W4008	40	9.5	5.5	8	34	11	44	38	32	25	5	95
33981.W4010	40	9.5	5.5	10	34	11	44	38	32	25	5	90
33981.W4108	40	9.5	5.5	8	34	11	44	38	32	25	5	95
33981.W4110	40	9.5	5.5	10	34	11	44	38	32	25	5	90
33981.W0040	40	9.5	5.5	-	34	11	44	38	32	25	5	21

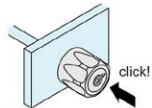
Order No.	l ₆	l ₇	l ₈	l ₉	w ₁	w ₂	t ₁	Type	Locking teeth	Spindle depth	Holding force kgf	Moment Mz in lock position Nm max.
33981.W4008	13	14.5	7.5	7	10	7	0.3	Black Knob	50 (7,2°)	25	70	28
33981.W4010	13	14.5	7.5	7	10	7	0.3	Black Knob	50 (7,2°)	25	70	28
33981.W4108	13	14.5	7.5	7	10	7	0.3	Orange Knob	50 (7,2°)	25	70	28
33981.W4110	13	14.5	7.5	7	10	7	0.3	Orange Knob	50 (7,2°)	25	70	28
33981.W0040	13	14.5	7.5	7	10	7	0.3	Pointer Plate	50 (7,2°)	25	70	28



by pulling the housing until it clicks, the teeth of the knob disengage from the base.



turn 33981 to rotate the spindle

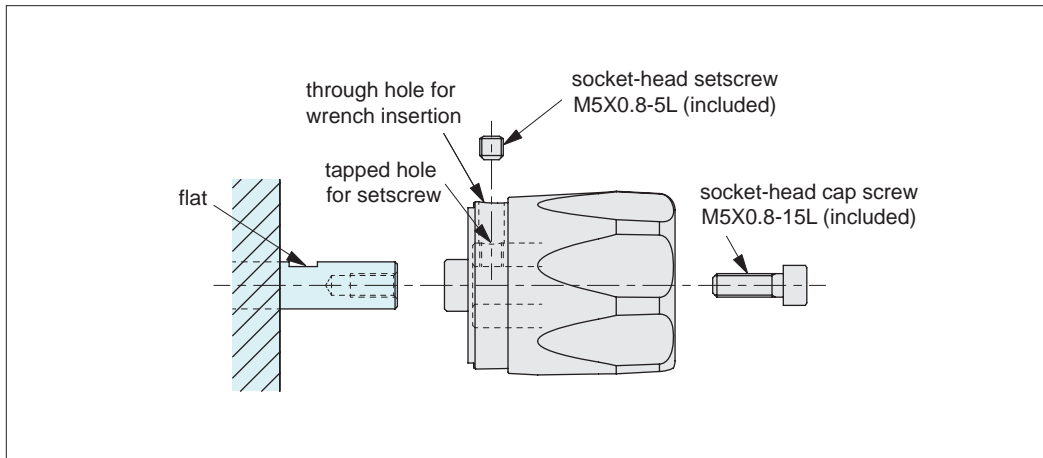


by pushing the housing until it clicks, the teeth engage again and lock the rotation of the spindle.

how to operate

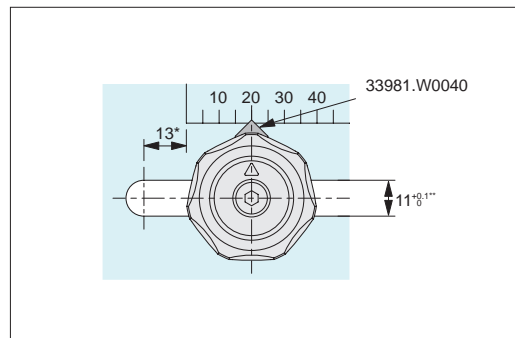
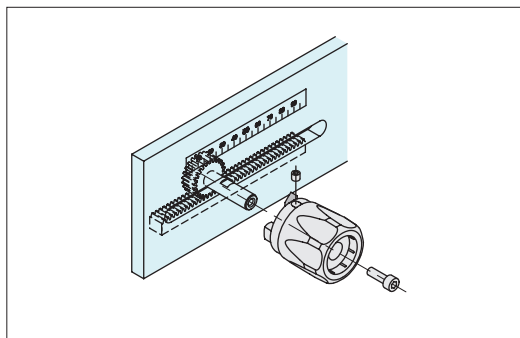


How to Install



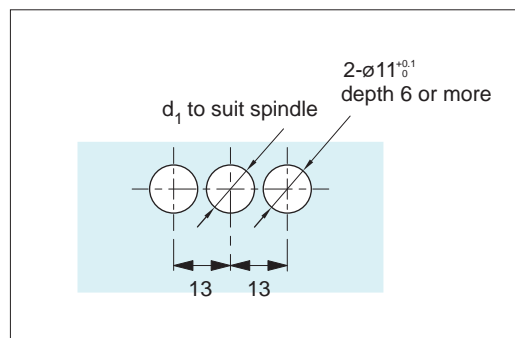
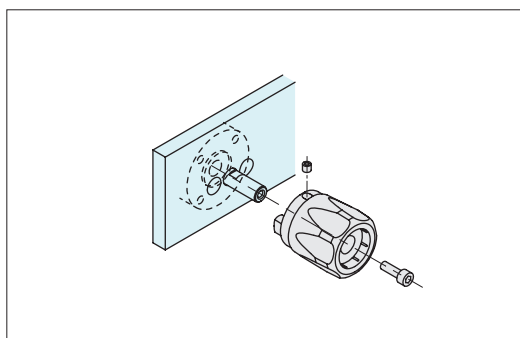
1. Pull the housing and align the through hole on the base and the tapped hole on the insert.
2. Align the flat and tapped hole on the insert and then mount the spindle.
3. Fix 33981 temporarily using M5X0.8-15L socket-head cap screw included.
4. Fix 33981 to the spindle temporarily using setscrew included.
5. Tighten M5X0.8-15L socket-head cap screw fully.
6. Tighten the setscrew fully.

Mounting Hole Dimensions



Rack and Pinion Application

*Prepare clearance of 13mm or more from the end of the required spindle stroke.
 **Recommended surface roughness is 1.6 for the inner surface of the slotted hole.

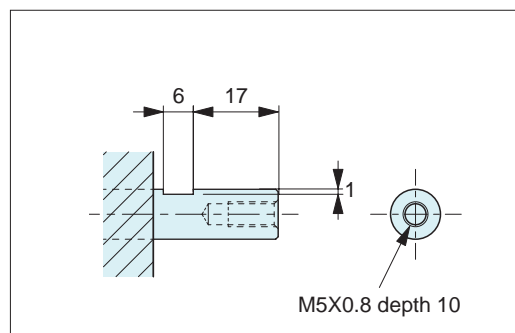
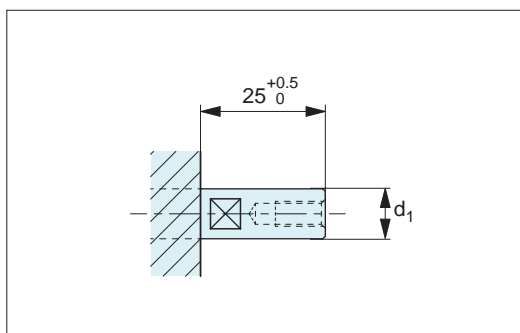


Lead Screw Application

d₁ to suit spindle

Size	d ₁
33981.W4008 / W4108	9
33981.W4010 / W4110	11

Mounting Spindle Dimension

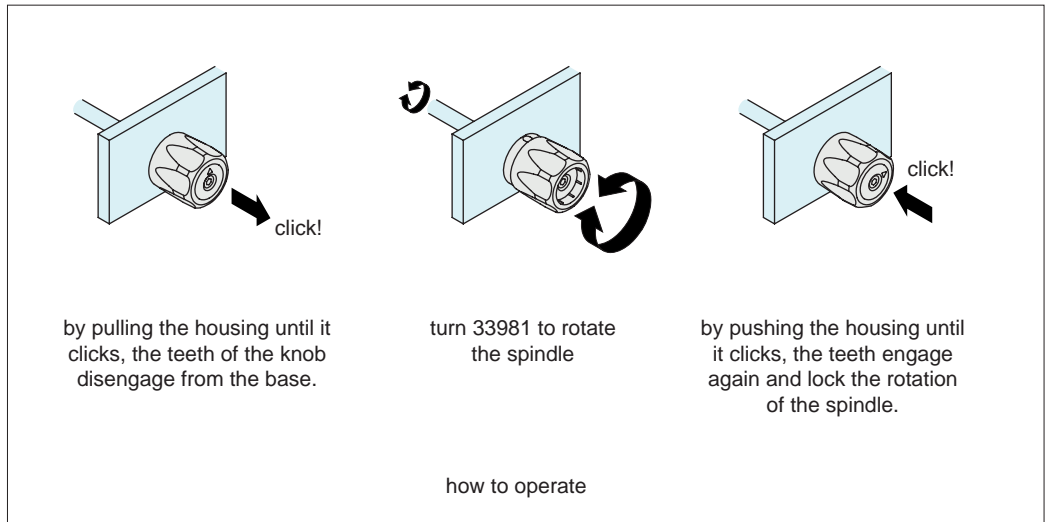


Spindle size

Size	d ₁ (g6)
33981.W4008 / W4108	8
33981.W4010 / W4110	10



Operation

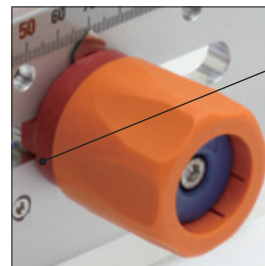


Clear Safety Indicator of Locked / Unlocked Position



Locked

Blue indicates safety to operate machine.



Unlocked

Red indicates caution to operate machine.

Holding Forces

One-Touch Locking Knob has 50 teeth and engages at every 7.2°. It pulls the spindle via the inner spring with 70N force to prevent chattering of spindle, with a max allowable moment at locking position of 28N·m (with 5 fold safety).

