



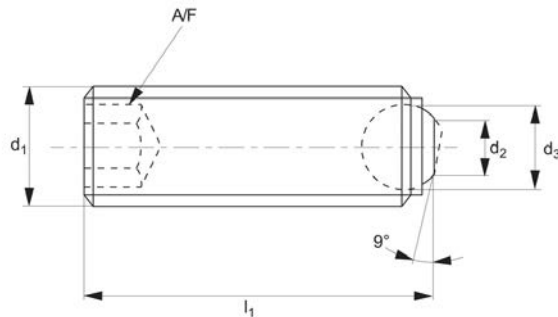
Thrust Screws - Ball Ended

headless - fine thread - flat faced ball - metal

Thrust Screws



34053



THRUST SCREWS

Material

Steel type-

Body: steel, heat-treated, 1200 ±100 N/mm².

Ball: ball bearing steel, hardened.

Stainless steel type-

Body: stainless steel (AISI 303, 1.4305).

Ball: stainless steel, hardened.

Technical Notes

For clamping, tightening or supporting surfaces that are not exactly parallel.

These ball ended thrust screws have a fine thread, for precise adjustment.

Tips

Ball not secured against rotation. It is

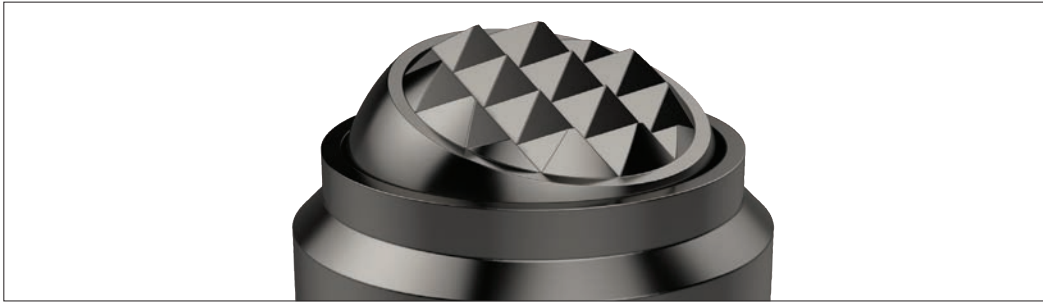
possible for the flat faced ball to flip and expose the spherical face of the ball. For other types see following pages.

Important Notes

*Max static load relates to steel version only.

Order No.	Material	Type	d ₁	d ₂	d ₃	l ₂	A/F	Static load kN max.	Weight g
34053.W0530	Steel	Flat, Plain	M 4x0,35	1.3	2.5	5.6	2	3.5	0.6
34053.W0532	Steel	Flat, Plain	M 4x0,35	1.3	2.5	9.6	2	3.5	0.8
34053.W0540	Steel	Flat, Plain	M 4x0,5	1.3	2.5	5.6	2	3.5	0.4
34053.W0542	Steel	Flat, Plain	M 4x0,5	1.3	2.5	9.6	2	3.5	0.8
34053.W0552	Steel	Flat, Plain	M 5x0,5	2.2	3.0	7.5	3	4.5	0.7
34053.W0554	Steel	Flat, Plain	M 5x0,5	2.2	3.0	11.5	3	4.5	1.2
34053.W0562	Steel	Flat, Plain	M 6x0,5	3.2	4.0	10.0	3	9.0	1.3
34053.W0563	Steel	Flat, Plain	M 6x0,5	3.2	4.0	12.0	3	9.0	1.8
34053.W0564	Steel	Flat, Plain	M 6x0,5	3.2	4.0	16.0	3	9.0	2.4
34053.W0565	Steel	Flat, Plain	M 6x0,5	3.2	4.0	20.0	3	9.0	3.0
34053.W0566	Steel	Flat, Plain	M 6x0,5	3.2	4.0	25.0	3	9.0	3.0
34053.W0581	Steel	Flat, Plain	M 8x1,0	4.5	5.5	10.0	4	15.0	2.6
34053.W0584	Steel	Flat, Plain	M 8x1,0	4.5	5.5	20.0	4	15.0	5.3
34053.W0830	Stainless	Flat, Plain	M 4x0,35	1.3	2.5	5.6	2	-	0.6
34053.W0832	Stainless	Flat, Plain	M 4x0,35	1.3	2.5	9.6	2	-	0.8
34053.W0838	Stainless	Flat, Plain	M 4x0,5	1.3	2.5	5.6	2	-	0.4
34053.W0839	Stainless	Flat, Plain	M 4x0,5	1.3	2.5	9.6	2	-	0.8
34053.W0833	Stainless	Flat, Plain	M 5x0,5	2.2	3.0	7.5	3	-	0.7
34053.W0835	Stainless	Flat, Plain	M 5x0,5	2.2	3.0	11.5	3	-	1.2
34053.W0840	Stainless	Flat, Plain	M 6x0,5	3.2	4.0	10.0	3	-	1.3
34053.W0842	Stainless	Flat, Plain	M 6x0,5	3.2	4.0	12.0	3	-	1.8
34053.W0844	Stainless	Flat, Plain	M 6x0,5	3.2	4.0	16.0	3	-	2.4
34053.W0845	Stainless	Flat, Plain	M 6x0,5	3.2	4.0	20.0	3	-	3.0
34053.W0846	Stainless	Flat, Plain	M 6x0,5	3.2	4.0	25.0	3	-	3.0
34053.W0850	Stainless	Flat, Plain	M 8x1,0	4.5	5.5	10.0	4	-	2.6
34053.W0854	Stainless	Flat, Plain	M 8x1,0	4.5	5.5	20.0	4	-	5.3



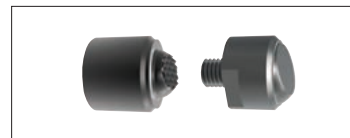
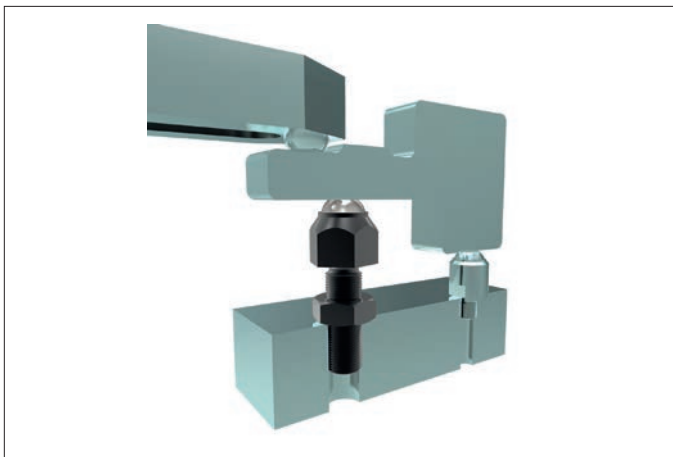


Clamping, supporting and aligning non-parallel and uneven surfaces is greatly simplified with the use of Wixroyd self-aligning pads and thrust screws. Available with ridged faces for improved holding of cast components, or plastic faces for holding more delicate parts.



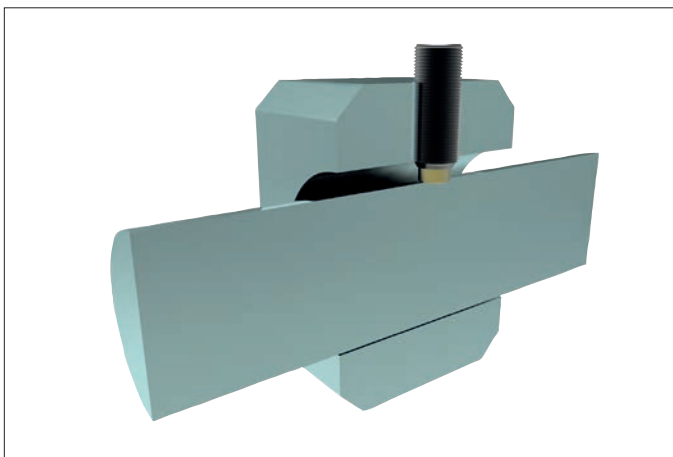
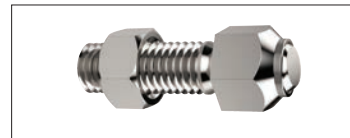
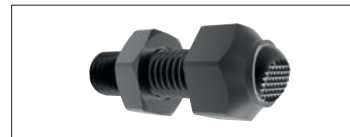
Self-aligning Thrust Screws

34000 to 34060 - Self-aligning thrust screws in sizes M6 to M24, ideal for clamping or supporting non-parallel surfaces.



Self-aligning Pads

34080 to 34121 - Self-aligning pads, both male and female mounting, ideal for accommodating variations between parts in fixtures.



Thrust Screws

34140 to 34160 - Thrust screws, with either brass or thermoplastic pads, are suitable for gentle clamping and positioning more delicate parts.



THRUST SCREWS

ov-W34000-A-T-W34160.2-AP0124-T-self-aligning-pads-and-thrust-screws-a-rmh - Updated - 28-10-2022