

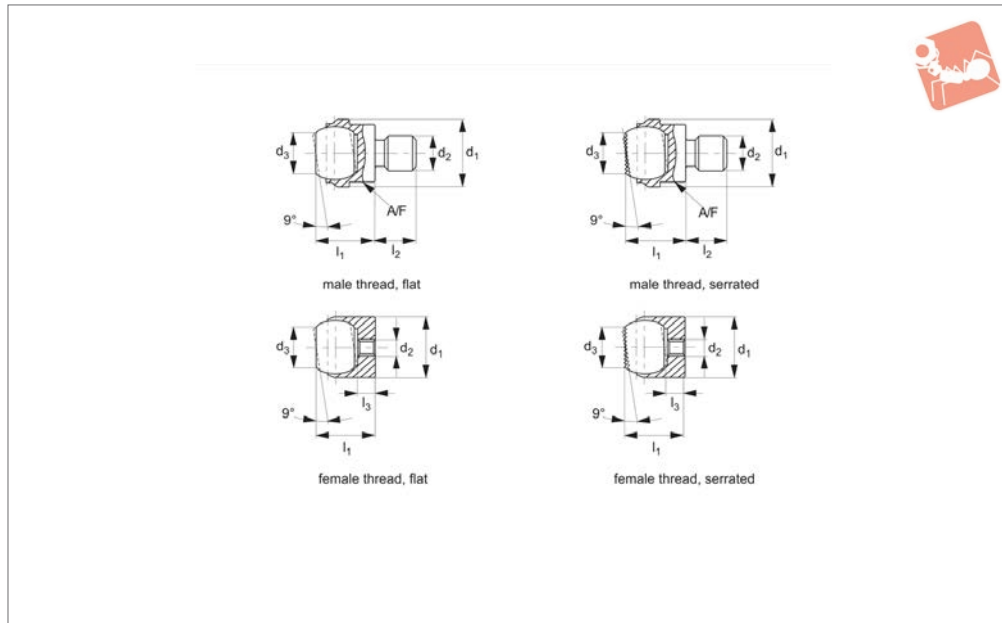


Self-Aligning Pads

fixed - steel



Self-Aligning Pads



34100

SELF-ALIGNING PADS

Material

Body: steel, heat-treated, phosphated.
Ball: ball bearing steel, hardened, bright.

supports and thrust elements in jigs and fixtures. They can also be fitted to existing clamping elements.

applies only when the minimum location hole depth is adhered to.
Ball secured against turning.

Technical Notes

These self-aligning pads serve as stops,

Tips

Max. load* for female threads (see table)

Order No.	Thread and face type	Ball dia.	d ₁	d ₂	d ₃	l ₁ ±0.02	l ₂ -0.5	l ₃ max.	A/F	Location hole tol. H7	Static load kN max.	Tightening torque Nm max.	Weight g
34100.W0012	Male, Flat	10	13	M 6	7,2	13	8	11			10	10	12
34100.W0013	Male, Flat	10	13	M 8	7,2	13	8	11			10	25	13
34100.W0018	Male, Flat	16	20	M 8	10,5	18	10	17			25	25	39
34100.W0019	Male, Flat	16	20	M10	10,5	18	10	17			25	46	41
34100.W0020	Male, Flat	16	20	M12	10,5	18	12	17			25	82	44
34100.W0030	Male, Flat	25	30	M16	20,0	27	16	27			90	206	151
34100.W0050	Male, Flat	40	50	M20	34,5	35	20	41			165	407	489
34100.W0060	Male, Flat	40	50	M24	34,5	35	24	41			165	698	526
34100.W0312	Male, Serrated	10	13	M 6	7,2	13	8	11			10	10	12
34100.W0313	Male, Serrated	10	13	M 8	7,2	13	8	11			10	25	13
34100.W0318	Male, Serrated	16	20	M 8	10,5	18	10	17			25	25	38
34100.W0319	Male, Serrated	16	20	M10	10,5	18	10	17			25	46	40
34100.W0320	Male, Serrated	16	20	M12	10,5	18	12	17			25	82	43
34100.W0330	Male, Serrated	25	30	M16	20,0	27	16	27			90	206	150
34100.W0350	Male, Serrated	40	50	M20	34,5	35	20	41			165	407	486
34100.W0360	Male, Serrated	40	50	M24	34,5	35	24	41			165	698	521
34100.W0412	Female, Flat	10	12 tol. n ₆	M 3	7,2	11		3,2		Ø12x6min	10*	1,3	8
34100.W0418	Female, Flat	16	18 tol. n ₆	M 4	10,5	17		4,0		Ø18x8min	25*	2,9	29
34100.W0428	Female, Flat	25	28 tol. n ₆	M 5	20,0	25		5,5		Ø28x13min	90*	6,0	109
34100.W0712	Female, Serrated	10	12 tol. n ₆	M 3	7,2	11		3,2		Ø12x6min	10*	1,3	8
34100.W0718	Female, Serrated	16	18 tol. n ₆	M 4	10,5	17		4,0		Ø18x8min	25*	2,9	29
34100.W0728	Female, Serrated	25	28 tol. n ₆	M 5	20,0	25		5,5		Ø28x13min	90*	6,0	108

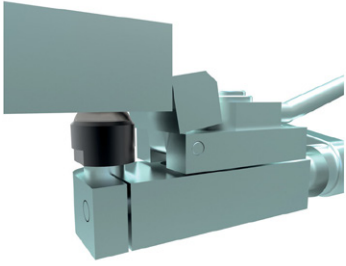
Self-Aligning Pads

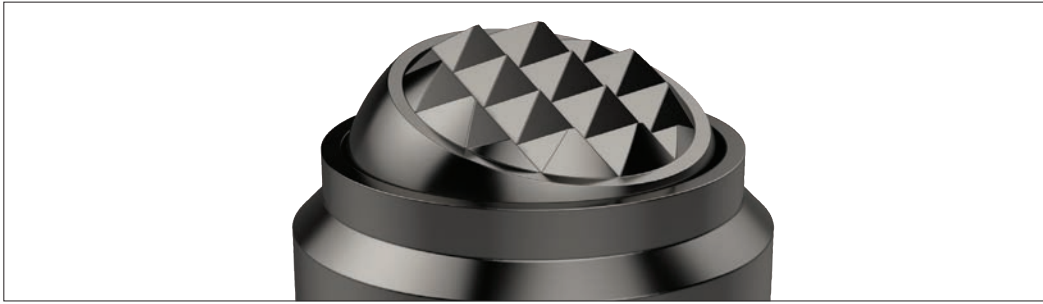


Self-Aligning Pads fixed - steel

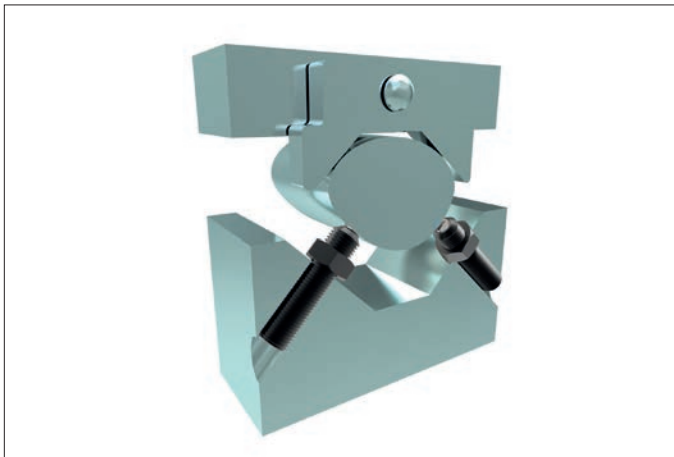


SELF-ALIGNING PADS



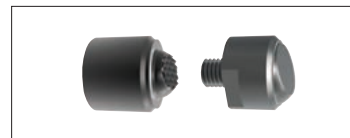
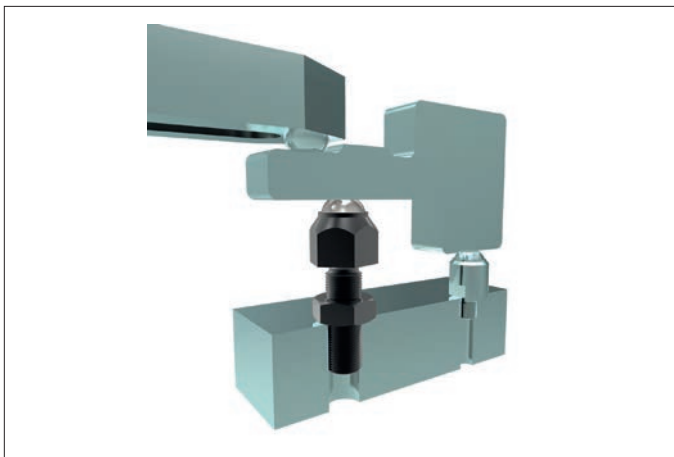


Clamping, supporting and aligning non-parallel and uneven surfaces is greatly simplified with the use of Wixroyd self-aligning pads and thrust screws. Available with ridged faces for improved holding of cast components, or plastic faces for holding more delicate parts.



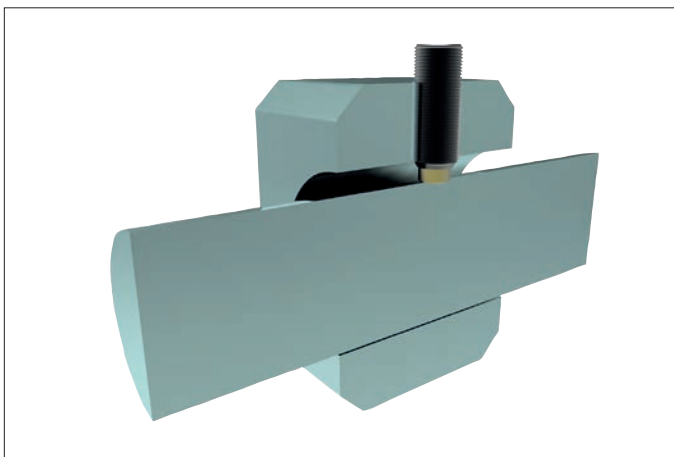
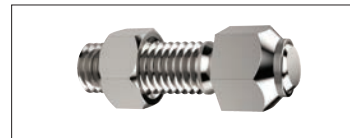
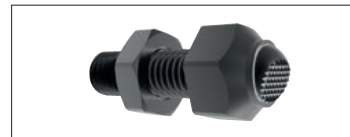
Self-aligning Thrust Screws

34000 to 34060 - Self-aligning thrust screws in sizes M6 to M24, ideal for clamping or supporting non-parallel surfaces.



Self-aligning Pads

34080 to 34121 - Self-aligning pads, both male and female mounting, ideal for accommodating variations between parts in fixtures.



Thrust Screws

34140 to 34160 - Thrust screws, with either brass or thermoplastic pads, are suitable for gentle clamping and positioning more delicate parts.



ov-W34000-A-T-W34160.2-AP0124-T-self-aligning-pads-and-thrust-screws-a-rmh - Updated - 28-10-2022