

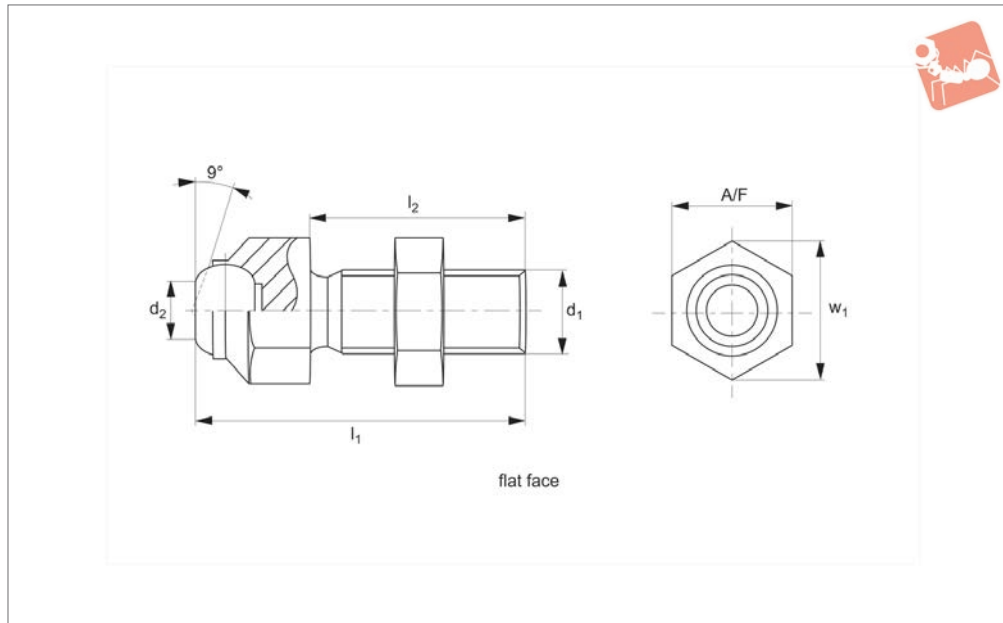


# Self-Aligning Pads

adjustable - stainless steel



# Self-Aligning Pads



## 34121

SELF-ALIGNING PADS

### Material

Body: stainless steel (AISI 431, 1.4057), heat-treated.

Ball: stainless steel (1.3541), nickel plated.

Nut: stainless steel.

### Technical Notes

These self-aligning pads serve as stops, supports and thrust elements in jigs and

fixtures. They can also be fitted to existing clamping elements.

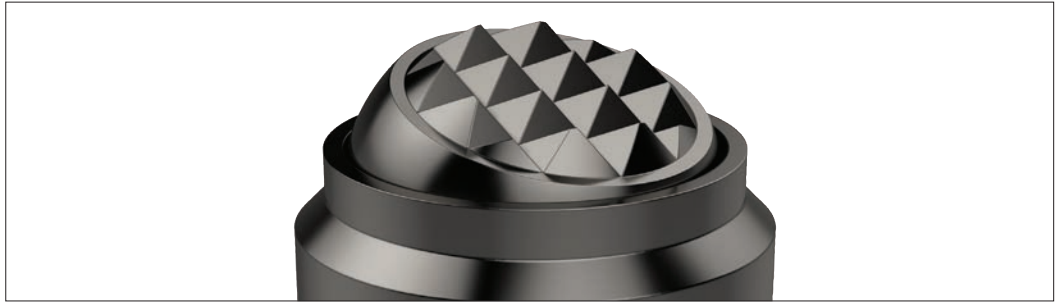
### Tips

Ball secured against turning.

Order No.	Ball type	Ball dia.	d <sub>1</sub>	d <sub>2</sub>	l <sub>1</sub>	l <sub>2</sub>	w <sub>1</sub>	A/F	Static load kN max.	Tightening torque Nm max.	Weight g
34121.W0013	Flat, Smooth	8.5	M 8	5.8	36.6	25	14.5	13	8	25	20
34121.W0016	Flat, Smooth	12.0	M10	8.6	45.7	30	19.0	17	8	46	44
34121.W0017	Flat, Smooth	12.0	M12	8.6	50.7	35	19.0	17	15	82	56
34121.W0024	Flat, Smooth	16.0	M16	10.5	60.7	40	27.0	24	25	206	128
34121.W0030	Flat, Smooth	25.0	M20	20.0	77.3	50	33.0	30	90	407	275
34121.W0036	Flat, Smooth	25.0	M24	20.0	100.0	70	40.0	36	90	698	472
34121.W0046	Flat, Smooth	40.0	M30x1,5	34.6	100.0	65	51.0	46	165	1355	772

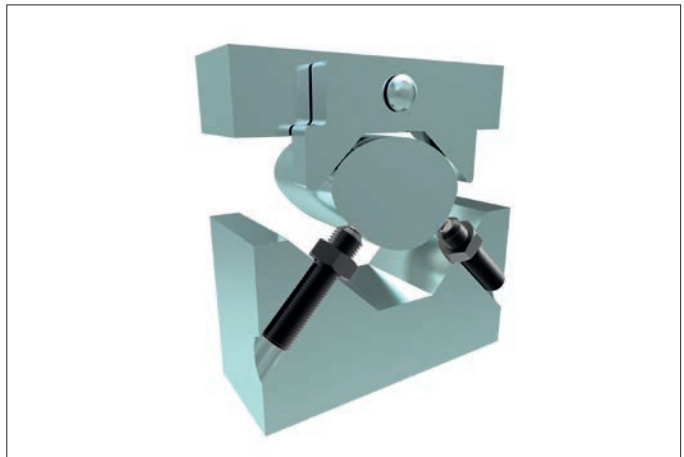


Clamping, supporting and aligning non-parallel and uneven surfaces is greatly simplified with the use of Wixroyd self-aligning pads and thrust screws. Available with ridged faces for improved holding of cast components, or plastic faces for holding more delicate parts.



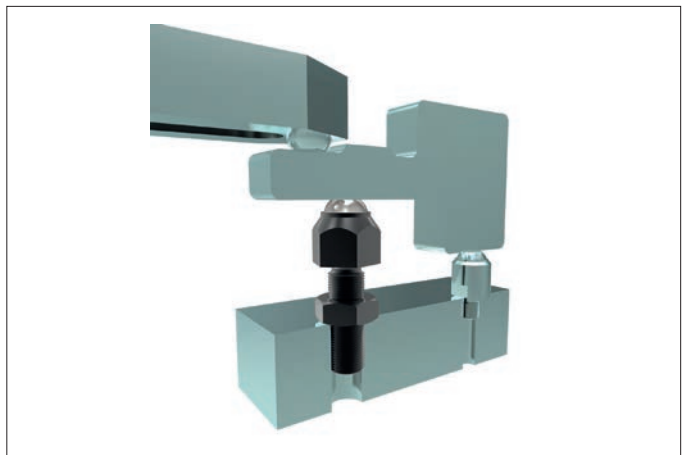
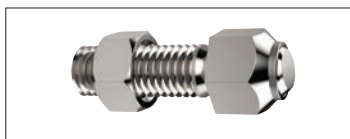
### Self-aligning Thrust Screws

**34000 to 34060** - Self-aligning thrust screws in sizes M6 to M24, ideal for clamping or supporting non-parallel surfaces.



### Self-aligning Pads

**34080 to 34121** - Self-aligning pads, both male and female mounting, ideal for accommodating variations between parts in fixtures.



### Thrust Screws

**34140 to 34160** - Thrust screws, with either brass or thermoplastic pads, are suitable for gentle clamping and positioning more delicate parts.

