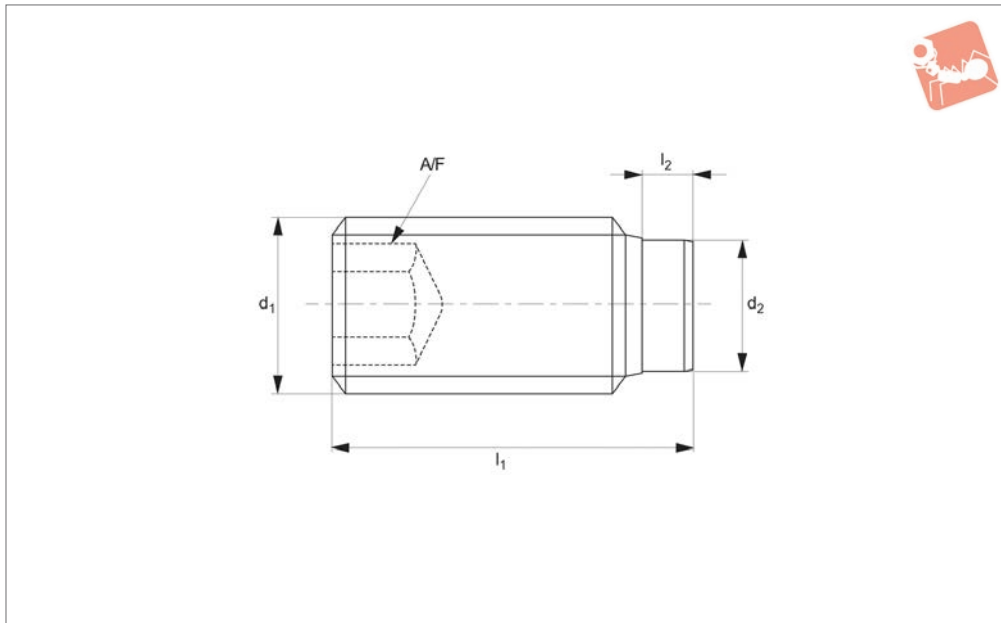




Thrust Screws - Brass Pad stainless steel



Thrust Screws



34140.2

THRUST SCREWS

Material

Screw: stainless steel 1.4305 (AISI 303).
Pad: brass.

Technical Notes

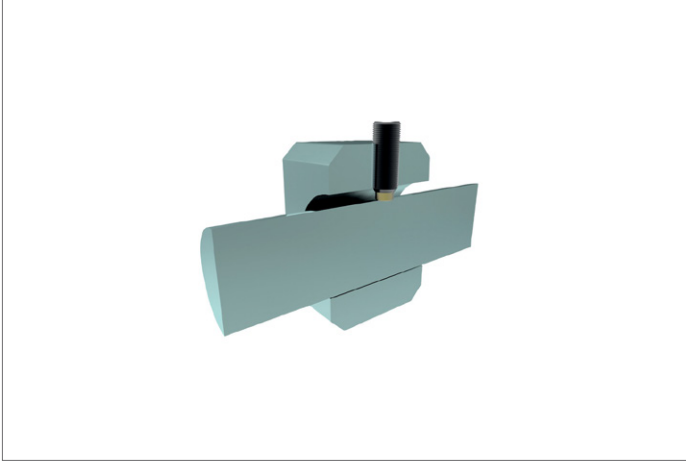
Brass pad pressed in. These thrust screws can be used for gentle clamping or pres-

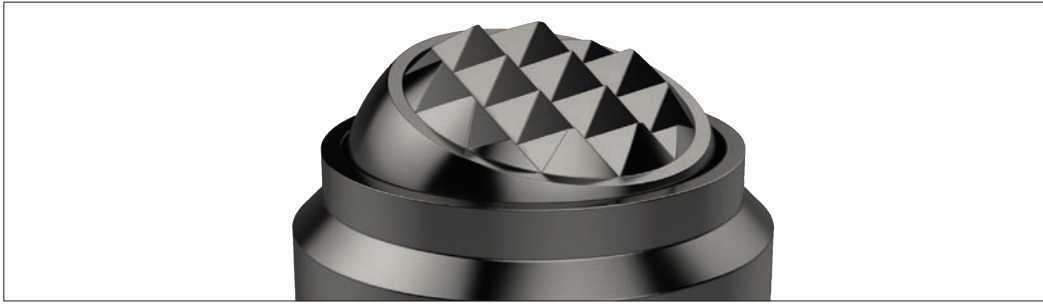
sing of threaded spindles, axles, shafts or surface treated parts.

Order No.	Material	Type	d ₁	l ₁	l ₂	d ₂	A/F	Weight g
34140.W0432	Stainless	Brass Pad	M 3	5.0	1.0	1.5	1.5	0.2
34140.W0434	Stainless	Brass Pad	M 3	7.5	1.0	1.5	1.5	0.3
34140.W0436	Stainless	Brass Pad	M 3	10.0	1.0	1.5	1.5	0.5
34140.W0442	Stainless	Brass Pad	M 4	6.5	1.2	2.5	2.0	0.3
34140.W0444	Stainless	Brass Pad	M 4	10.5	1.2	2.5	2.0	0.8
34140.W0446	Stainless	Brass Pad	M 4	16.5	1.2	2.5	2.0	1.2
34140.W0452	Stainless	Brass Pad	M 5	8.5	1.3	3.0	2.5	0.9
34140.W0454	Stainless	Brass Pad	M 5	12.5	1.3	3.0	2.5	1.4
34140.W0456	Stainless	Brass Pad	M 5	20.5	1.3	3.0	2.5	2.1
34140.W0462	Stainless	Brass Pad	M 6	11.5	1.9	4.0	3.0	1.7
34140.W0464	Stainless	Brass Pad	M 6	17.5	1.9	4.0	3.0	2.7
34140.W0466	Stainless	Brass Pad	M 6	26.5	1.9	4.0	3.0	4.2
34140.W0482	Stainless	Brass Pad	M 8	12.0	2.5	5.5	4.0	3.0
34140.W0486	Stainless	Brass Pad	M 8	22.0	2.5	5.5	4.0	5.8
34140.W0488	Stainless	Brass Pad	M 8	32.0	2.5	5.5	4.0	8.9
34140.W0502	Stainless	Brass Pad	M10	14.0	2.7	7.0	5.0	5.6
34140.W0504	Stainless	Brass Pad	M10	18.0	2.7	7.0	5.0	6.7
34140.W0506	Stainless	Brass Pad	M10	27.0	2.7	7.0	5.0	11.0
34140.W0508	Stainless	Brass Pad	M10	37.0	2.7	7.0	5.0	16.0
34140.W0522	Stainless	Brass Pad	M12	18.5	3.4	8.5	6.0	10.0
34140.W0524	Stainless	Brass Pad	M12	22.5	3.4	8.5	6.0	12.0
34140.W0526	Stainless	Brass Pad	M12	32.5	3.4	8.5	6.0	20.0
34140.W0528	Stainless	Brass Pad	M12	42.5	3.4	8.5	6.0	29.0

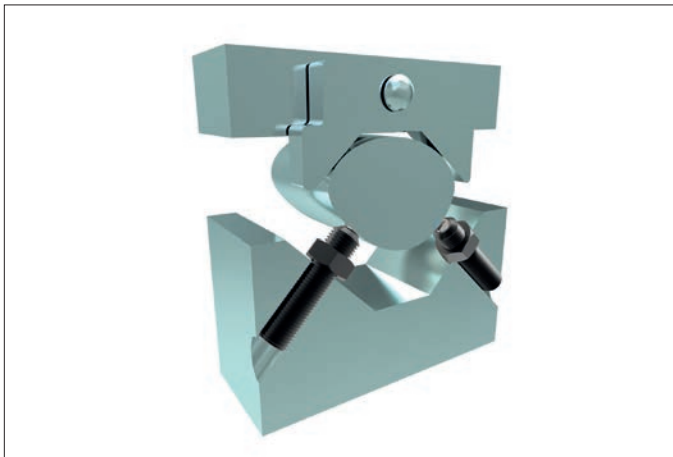


THRUST SCREWS



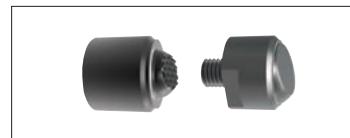
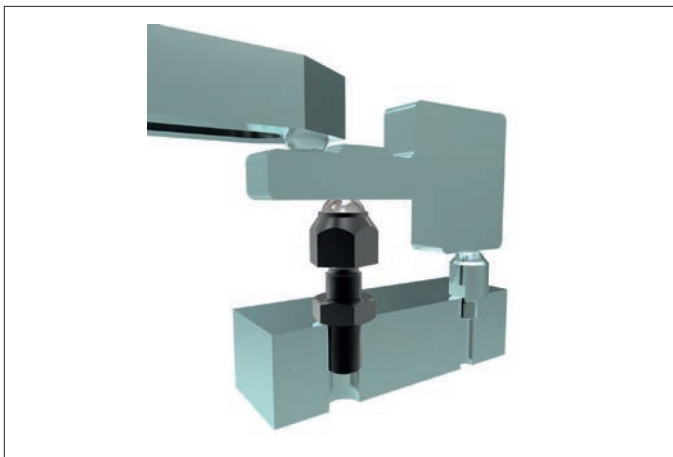


Clamping, supporting and aligning non-parallel and uneven surfaces is greatly simplified with the use of Wixroyd self-aligning pads and thrust screws. Available with ridged faces for improved holding of cast components, or plastic faces for holding more delicate parts.



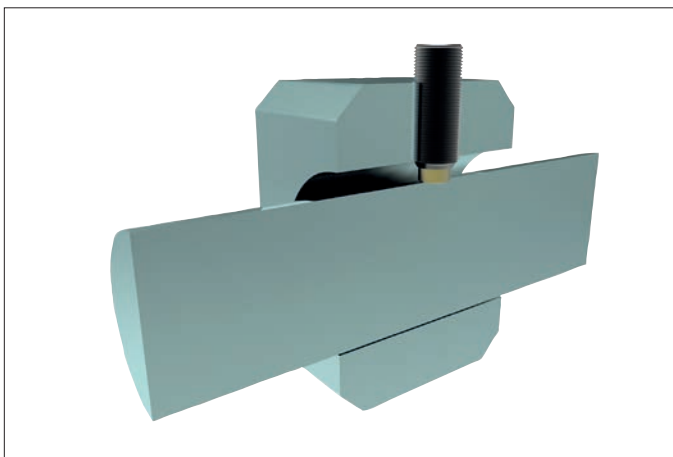
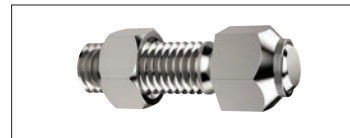
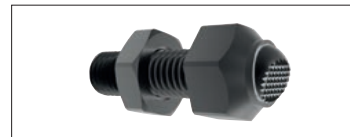
Self-aligning Thrust Screws

34000 to 34060 - Self-aligning thrust screws in sizes M6 to M24, ideal for clamping or supporting non-parallel surfaces.



Self-aligning Pads

34080 to 34121 - Self-aligning pads, both male and female mounting, ideal for accommodating variations between parts in fixtures.



Thrust Screws

34140 to 34160 - Thrust screws, with either brass or thermoplastic pads, are suitable for gentle clamping and positioning more delicate parts.



THRUST SCREWS

ov-W34000-A-T-W34160.2-AP0124-T-self-aligning-pads-and-thrust-screws-a-rmh - Updated - 28-10-2022