

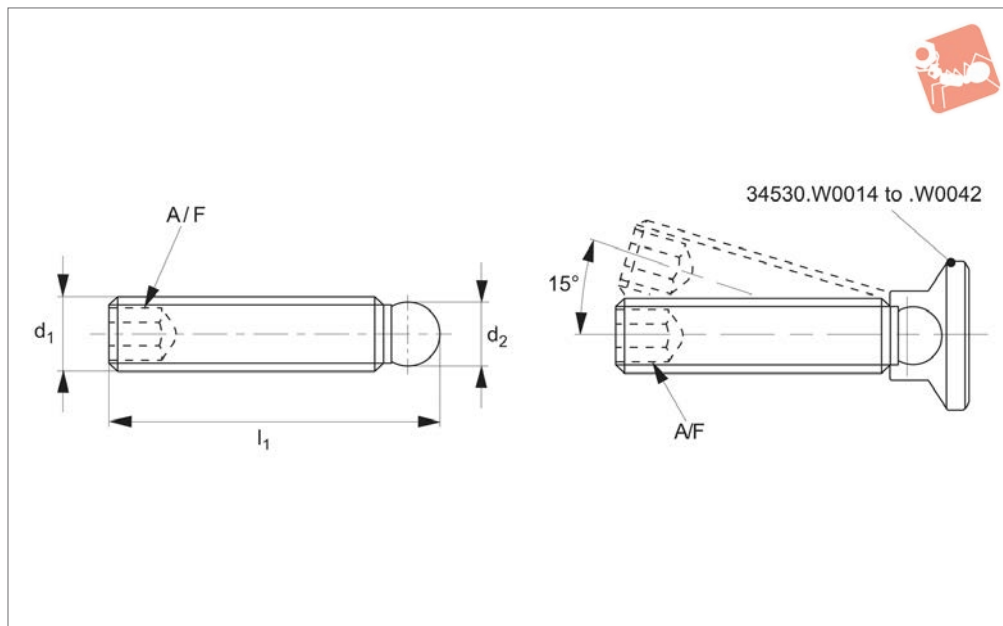


# Grub Screws

with hex end and ball thrust point, **stainless steel**



# Thrust Screws



**34540**

THRUST SCREWS

**Material**

stainless steel 1.4305 (AISI 303).

34530#26>.

**Steel type:**

free cutting steel, quality 5.8, blackened.

**Technical Notes**

Can be used with thrust pads no. 34530<X\

**Stainless steel type:**

Order No.	Material	d <sub>1</sub>	d <sub>2</sub> +0.05	l <sub>1</sub>	A/F	Weight g
34540.W0210	Steel	M 6	4.47	30	3	5.1
34540.W0214	Steel	M 6	4.47	40	3	5.9
34540.W0218	Steel	M 6	4.47	50	3	7.6
34540.W0219	Steel	M 8	6.10	25	4	5.8
34540.W0220	Steel	M 8	6.10	40	4	11.0
34540.W0224	Steel	M 8	6.10	50	4	14.0
34540.W0228	Steel	M 8	6.10	63	4	18.0
34540.W0248	Steel	M10	7.80	40	5	16.0
34540.W0250	Steel	M10	7.80	50	5	21.0
34540.W0254	Steel	M10	7.80	63	5	27.0
34540.W0258	Steel	M10	7.80	80	5	36.0
34540.W0316	Steel	M12	9.40	40	6	23.0
34540.W0320	Steel	M12	9.40	63	6	39.0
34540.W0324	Steel	M12	9.40	80	6	51.0
34540.W0328	Steel	M12	9.40	100	6	65.0
34540.W0710	Stainless	M 6	4.47	30	3	5.1
34540.W0714	Stainless	M 6	4.47	40	3	5.9
34540.W0718	Stainless	M 6	4.47	50	3	7.6
34540.W0719	Stainless	M 8	6.10	25	4	5.8
34540.W0720	Stainless	M 8	6.10	40	4	11.0
34540.W0724	Stainless	M 8	6.10	50	4	14.0
34540.W0728	Stainless	M 8	6.10	63	4	18.0
34540.W0748	Stainless	M10	7.80	40	5	16.0
34540.W0750	Stainless	M10	7.80	50	5	21.0
34540.W0754	Stainless	M10	7.80	63	5	27.0
34540.W0758	Stainless	M10	7.80	80	5	36.0
34540.W0816	Stainless	M12	9.40	40	6	23.0
34540.W0820	Stainless	M12	9.40	63	6	39.0
34540.W0824	Stainless	M12	9.40	80	6	51.0
34540.W0828	Stainless	M12	9.40	100	6	65.0