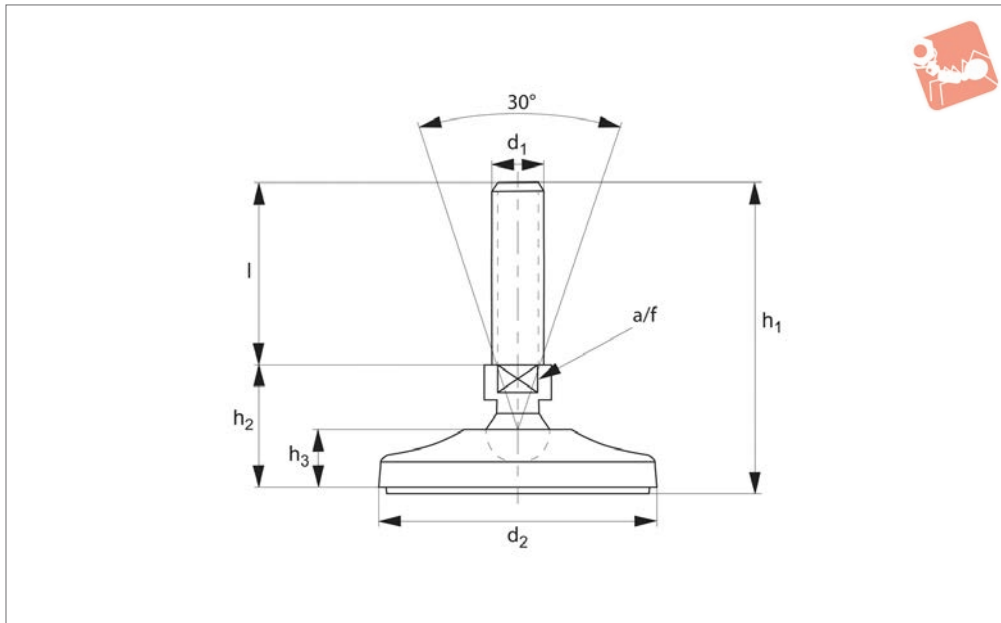




# Mini Levelling Feet

stainless steel, articulated

## Levelling Feet



**34614**

LEVELLING FEET

**Material**

Stainless steel (AISI 304), with rubber pad (70 Shore A).  
Stainless steel (AISI 316) version available

on request.

**Technical Notes**

Load values refer to static loads, located at

half the screw height.

When vibrations or dynamic loads are present these values should be reduced.

| Order No.   | d <sub>1</sub> | d <sub>2</sub> | l   | h <sub>1</sub> | h <sub>2</sub> | h <sub>3</sub> | A/F | Load kN max. |
|-------------|----------------|----------------|-----|----------------|----------------|----------------|-----|--------------|
| 34614.W0800 | M 8            | 40             | 25  | 53             | 25             | 14.5           | 12  | 10           |
| 34614.W0801 | M 8            | 40             | 50  | 78             | 25             | 14.5           | 12  | 10           |
| 34614.W0802 | M 8            | 40             | 75  | 103            | 25             | 14.5           | 12  | 10           |
| 34614.W0803 | M 8            | 40             | 100 | 128            | 25             | 14.5           | 12  | 10           |



## A Range of features to suit your application

### Product selection

To ensure you select the most suitable levelling feet for your application consider the following questions:

- Tilting or fixed?
- Material required - steel, stainless or plastic?
- Load carrying capacity - light, medium or heavy duty?  
(Review the quoted load capacities in the individual product tables).
- Bolt down feature required?
- Threaded or plastic insert required for mounting?
- Optional extras: hygiene seal, rubber pad, (subject to minimum quantity and selected model).

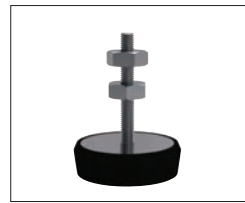
### Key types



Fixed feet



Articulating levelling feet



Machine mounts



Fulcrum screw

### Available features



Articulation



Standard nylon base



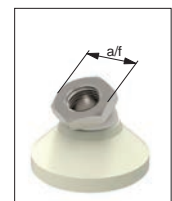
Anti-slip base



Bolt down base



Hygienic seal



Hex for easy installation

### Materials



Steel thread - Nylon base



Stainless thread - Nylon base



Steel thread - Steel base



Stainless thread - Stainless base

### Mounting inserts



Weldable insert



Hollow section insert



Hollow section bushed insert

### Additional technical information



▶ For applications under greater loads and requiring increased precision of adjustment see our range of Precision Height Adjusters.

▶ For applications exposed to extreme vibrations see our range of Anti-Vibration Mounts.

