

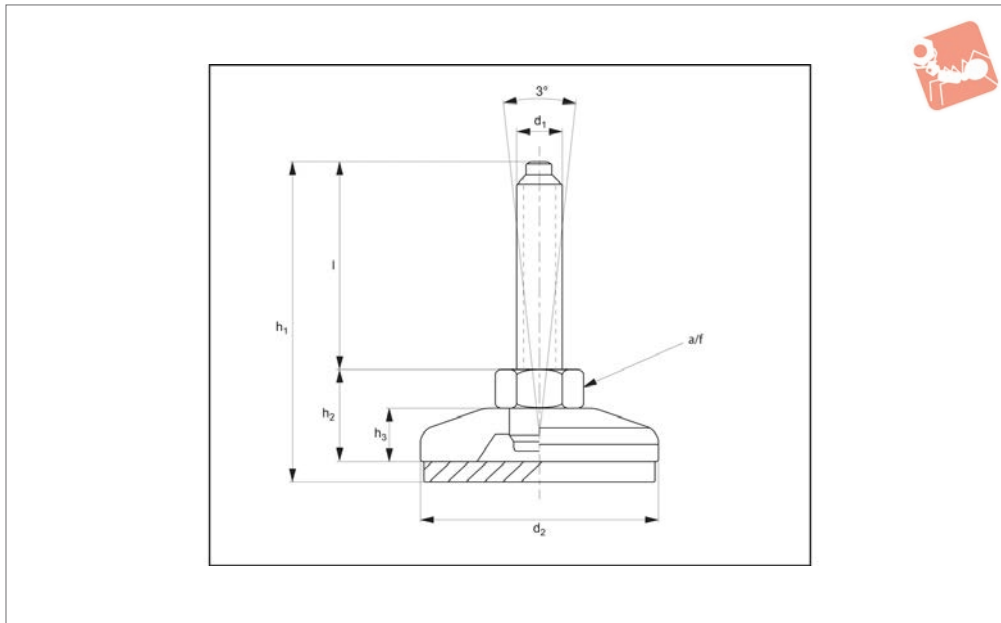


Mini Levelling Feet

stainless steel, medium load



Levelling Feet



34615

LEVELLING FEET

Material

Stainless steel (AISI 304), with rubber pad (70 Shore A).
Stainless steel (AISI 316) version available

on request.

Technical Notes

Load values refer to static loads, located at

half the screw height.

When vibrations or dynamic loads are present these values should be reduced.

Order No.	d ₁	d ₂	l	h ₁	h ₂	h ₃	A/F	Load kN max.
34615.W0800	M 8	40	25	42	14	8	14	9
34615.W0801	M 8	40	50	67	14	8	14	9
34615.W1000	M10	40	25	42	14	8	14	9
34615.W1001	M10	40	50	67	14	8	14	9
34615.W1002	M10	40	75	92	14	8	14	9
34615.W1200	M12	40	50	67	14	8	14	9
34615.W1201	M12	40	100	117	14	8	14	9



A Range of features to suit your application

Product selection

To ensure you select the most suitable levelling feet for your application consider the following questions:

- Tilting or fixed?
- Material required - steel, stainless or plastic?
- Load carrying capacity - light, medium or heavy duty?
(Review the quoted load capacities in the individual product tables).
- Bolt down feature required?
- Threaded or plastic insert required for mounting?
- Optional extras: hygiene seal, rubber pad, (subject to minimum quantity and selected model).

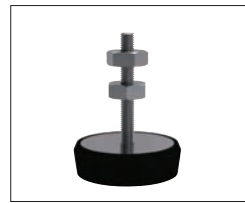
Key types



Fixed feet



Articulating levelling feet



Machine mounts



Fulcrum screw

Available features



Articulation



Standard nylon base



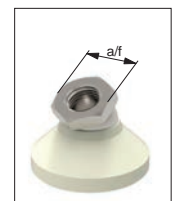
Anti-slip base



Bolt down base



Hygienic seal



Hex for easy installation

Materials



Steel thread - Nylon base



Stainless thread - Nylon base



Steel thread - Steel base



Stainless thread - Stainless base

Mounting inserts



Weldable insert



Hollow section insert



Hollow section bushed insert

Additional technical information



▶ For applications under greater loads and requiring increased precision of adjustment see our range of Precision Height Adjusters.

▶ For applications exposed to extreme vibrations see our range of Anti-Vibration Mounts.

