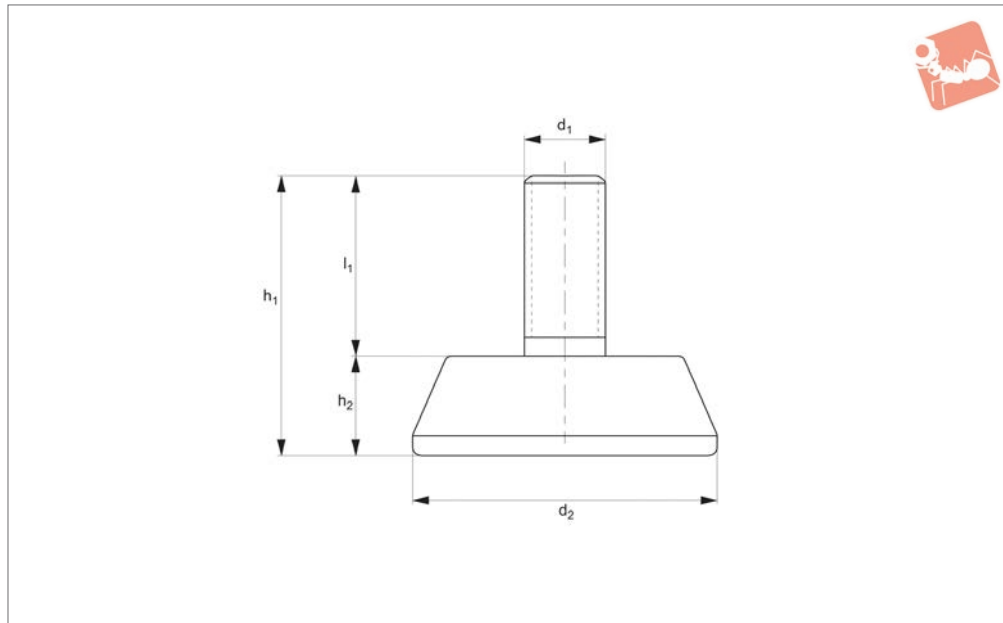




Mini Levelling Feet

steel with plastic base

Levelling Feet



34616

LEVELLING FEET

Material

Galvanised steel stud with plastic base.

calculated at the half of the screw length.

In the presence of vibrations or dynamic loads these values should be reduced.

Technical Notes

Load values shown are for static loads

Order No.	d ₁	d ₂	l ₁	h ₁	h ₂	Static load N
34616.W0800	M 8	30	20	31.5	11.5	2000
34616.W0801	M 8	40	25	39.5	14.5	2500
34616.W0802	M 8	40	25	41.0	16.0	1800
34616.W1000	M10	30	20	31.5	11.5	2000
34616.W1001	M10	40	25	39.5	14.5	2500
34616.W1002	M10	50	35	52.0	17.0	3500
34616.W1003	M10	40	25	41.0	16.0	2250
34616.W1200	M12	50	35	52.0	17.0	3500
34616.W1201	M12	60	35	52.0	17.0	4000
34616.W1202	M12	40	25	41.0	16.0	3150



A Range of features to suit your application

Product selection

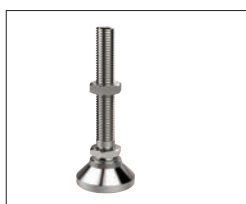
To ensure you select the most suitable levelling feet for your application consider the following questions:

- Tilting or fixed?
- Material required - steel, stainless or plastic?
- Load carrying capacity - light, medium or heavy duty?
(Review the quoted load capacities in the individual product tables).
- Bolt down feature required?
- Threaded or plastic insert required for mounting?
- Optional extras: hygiene seal, rubber pad, (subject to minimum quantity and selected model).

Key types



Fixed feet



Articulating levelling feet



Machine mounts



Fulcrum screw

Available features



Articulation



Standard nylon base



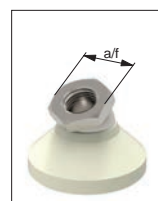
Anti-slip base



Bolt down base



Hygienic seal



Hex for easy installation

Materials



Steel thread - Nylon base



Stainless thread - Nylon base



Steel thread - Steel base



Stainless thread - Stainless base

Mounting inserts



Weldable insert



Hollow section insert



Hollow section bushed insert

Additional technical information



▶ For applications under greater loads and requiring increased precision of adjustment see our range of Precision Height Adjusters.

▶ For applications exposed to extreme vibrations see our range of Anti-Vibration Mounts.

