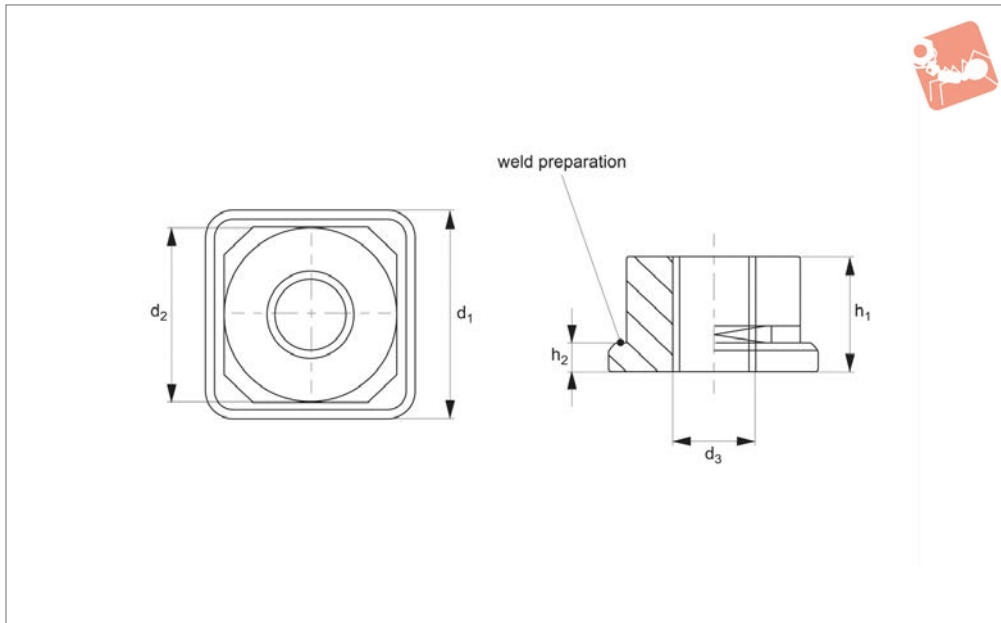




Weldable Threaded Insert

stainless steel

Threaded Frame Inserts



34670

THREADED FRAME INSERTS

Material

Stainless steel AISI 303.

Technical Notes

Ideal for fixing levelling feet to boxed section.

Order No.	Section size	Outerbox d ₁ (sq)	Innerbox d ₂	d ₃	h ₁	h ₂	Load capacity for static load kg max.
34670.W0030	30x30x2,0	30	26	M12	12	4	1500
34670.W0032	30x30x3,0	30	24	M12	12	4	1500
34670.W0033	30x30x3,0	30	24	M16	16	4	2000
34670.W0040	40x40x2,0	40	36	M16	16	5	2000
34670.W0041	40x40x2,0	40	36	M20	20	5	3000
34670.W0042	40x40x3,0	40	34	M16	16	5	2000
34670.W0043	40x40x3,0	40	34	M20	20	5	3000
34670.W0050	50x50x2,0	50	46	M16	16	6	2000
34670.W0051	50x50x2,0	50	46	M20	20	6	3000
34670.W0053	50x50x3,0	50	44	M16	16	6	2000
34670.W0054	50x50x3,0	50	44	M20	20	6	3000
34670.W0055	50x50x3,0	50	44	M24	24	6	4000





A Range of features to suit your application

Product selection

To ensure you select the most suitable levelling feet for your application consider the following questions:

- Tilting or fixed?
- Material required - steel, stainless or plastic?
- Load carrying capacity - light, medium or heavy duty?
(Review the quoted load capacities in the individual product tables).
- Bolt down feature required?
- Threaded or plastic insert required for mounting?
- Optional extras: hygiene seal, rubber pad, (subject to minimum quantity and selected model).

Key types



Fixed feet



Articulating levelling feet



Machine mounts



Fulcrum screw

Available features



Articulation



Standard nylon base



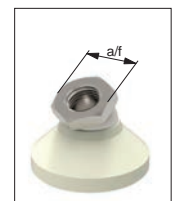
Anti-slip base



Bolt down base



Hygienic seal



Hex for easy installation

Materials



Steel thread - Nylon base



Stainless thread - Nylon base



Steel thread - Steel base



Stainless thread - Stainless base

Mounting inserts



Weldable insert



Hollow section insert



Hollow section bushed insert

Additional technical information



▶ For applications under greater loads and requiring increased precision of adjustment see our range of Precision Height Adjusters.

▶ For applications exposed to extreme vibrations see our range of Anti-Vibration Mounts.

