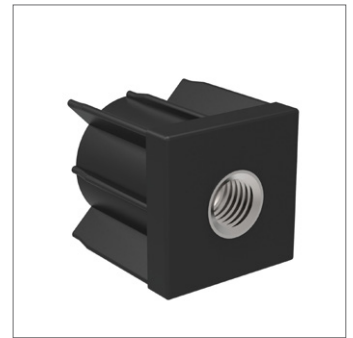
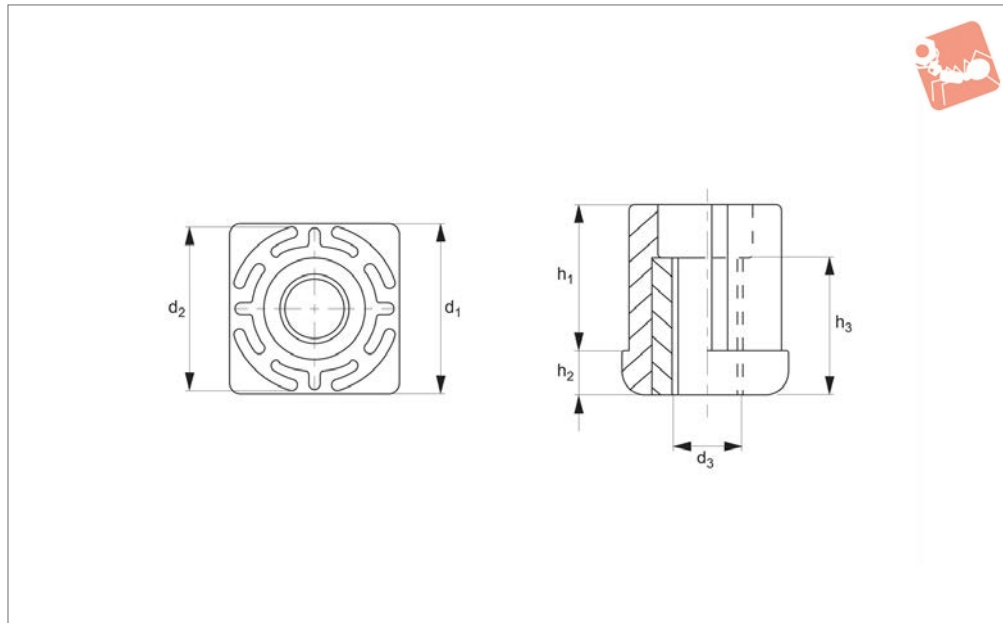




Threaded Plastic Insert for Hollow with stainless steel bush

Threaded Frame Inserts



34692

THREADED FRAME INSERTS

Material

Bush: stainless steel, type AISI 303.

Moulding: polyamide reinforced nylon.

Order No.	Outerbox d_1	Innerbox d_2	d_3	h_1	h_2	h_3	Load capacity for static load kg max.
34692.W0610	30x30x1,5	27	M10	35	8	24	500
34692.W0612	30x30x1,5	27	M12	35	8	24	500
34692.W0616	30x30x1,5	27	M16	35	8	24	500
34692.W0710	40x40x1,5	37	M10	35	8	24	1000
34692.W0712	40x40x1,5	37	M12	35	8	24	1000
34692.W0716	40x40x1,5	37	M16	35	8	24	1000
34692.W0720	40x40x1,5	37	M20	35	8	24	1000
34692.W0810	40x40x2,0	36	M10	35	8	24	1000
34692.W0812	40x40x2,0	36	M12	35	8	24	1000
34692.W0816	40x40x2,0	36	M16	35	8	24	1000
34692.W0820	40x40x2,0	36	M20	35	8	24	1000
34692.W0916	50x50x1,5	47	M16	45	10	24	1200
34692.W0920	50x50x1,5	47	M20	45	10	24	1200
34692.W0924	50x50x1,5	47	M24	45	10	24	1200
34692.W0952	50x50x2,0	46	M16	45	10	24	1200
34692.W0954	50x50x2,0	46	M20	45	10	24	1200
34692.W0956	50x50x2,0	46	M24	45	10	24	1200



A Range of features to suit your application

Product selection

To ensure you select the most suitable levelling feet for your application consider the following questions:

- Tilting or fixed?
- Material required - steel, stainless or plastic?
- Load carrying capacity - light, medium or heavy duty?
(Review the quoted load capacities in the individual product tables).
- Bolt down feature required?
- Threaded or plastic insert required for mounting?
- Optional extras: hygiene seal, rubber pad, (subject to minimum quantity and selected model).

Key types



Fixed feet



Articulating levelling feet



Machine mounts



Fulcrum screw

Available features



Articulation



Standard nylon base



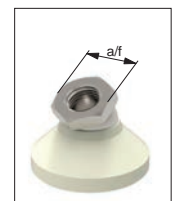
Anti-slip base



Bolt down base



Hygienic seal



Hex for easy installation

Materials



Steel thread - Nylon base



Stainless thread - Nylon base



Steel thread - Steel base



Stainless thread - Stainless base

Mounting inserts



Weldable insert



Hollow section insert



Hollow section bushed insert

Additional technical information



▶ For applications under greater loads and requiring increased precision of adjustment see our range of Precision Height Adjusters.

▶ For applications exposed to extreme vibrations see our range of Anti-Vibration Mounts.

