

## 34704

LEVELLING FEET

### Material

Base material: galvanized steel (C40).  
Full Steel base with vulcanized rubber.

half the screw height.

In conditions of vibrations or in presence of dynamic loads these values should be reduced.

### Technical Notes

Load values refer to static loads, located at

Order No.	$d_1$	$d_2$	$h_1$	$h_2$	$h_3$	$l_1$	$l_2$	A/F	Load kgf max.	Weight g
34704.W1001	80	M10	135.0	35.0	25	100	54	14	1000	315
34704.W1200	80	M12	85.0	35.0	25	50	54	14	1000	303
34704.W1201	80	M12	135.0	35.0	25	100	54	14	1000	335
34704.W1202	80	M12	185.0	35.0	25	150	54	14	1000	372
34704.W1400	80	M14	85.0	35.0	25	50	54	14	1000	316
34704.W1401	80	M14	135.0	35.0	25	100	54	14	1000	363
34704.W1402	80	M14	185.0	35.0	25	150	54	14	1000	413
34704.W1600	80	M16	110.0	35.0	25	75	54	16	1000	367
34704.W1601	80	M16	135.0	35.0	25	100	54	16	1000	399
34704.W1602	80	M16	185.0	35.0	25	150	54	16	1000	464
34704.W1603	80	M16	235.0	35.0	25	200	54	16	1000	527
34704.W2000	80	M20	111.0	36.0	25	75	54	20	1000	430
34704.W2001	80	M20	136.0	36.0	25	100	54	20	1000	480
34704.W2002	80	M20	186.0	36.0	25	150	54	20	1000	582
34704.W2003	80	M20	236.0	36.0	25	200	54	20	1000	683
34704.W2400	80	M24	111.0	36.0	25	75	54	24	1000	503
34704.W2401	80	M24	136.0	36.0	25	100	54	24	1000	576
34704.W2402	80	M24	186.0	36.0	25	150	54	24	1500	721
34704.W2403	80	M24	236.0	36.0	25	200	54	24	1500	867
34704.W1604	100	M16	112.5	37.5	28	75	69	16	1500	505
34704.W1605	100	M16	137.5	37.5	28	100	69	16	1500	537
34704.W1606	100	M16	187.5	37.5	28	150	69	16	1500	602
34704.W1607	100	M16	237.5	37.5	28	200	69	16	1500	665
34704.W2004	100	M20	113.5	38.5	28	75	69	20	1500	568
34704.W2005	100	M20	138.5	38.5	28	100	69	20	1500	618
34704.W2006	100	M20	188.5	38.5	28	150	69	20	1500	720
34704.W2007	100	M20	238.5	38.5	28	200	69	20	1500	821
34704.W2008	100	M20	288.5	38.5	28	250	69	20	1500	924
34704.W2404	100	M24	138.5	38.5	28	100	69	24	1500	641
34704.W2405	100	M24	188.5	38.5	28	150	69	24	1500	714
34704.W2406	100	M24	238.5	38.5	28	200	69	24	1500	859

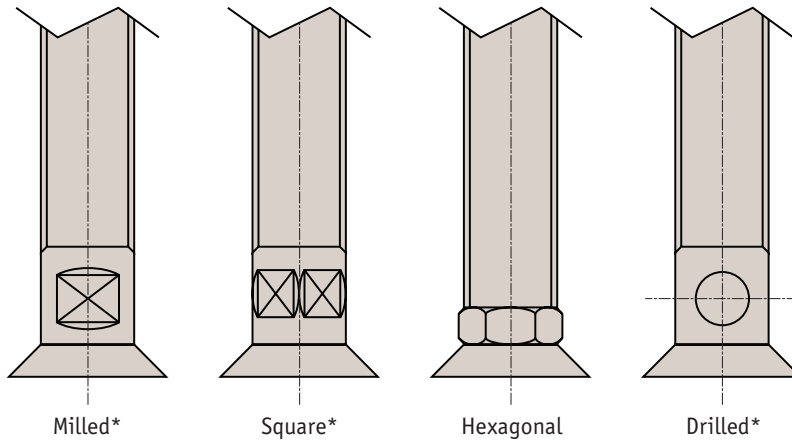
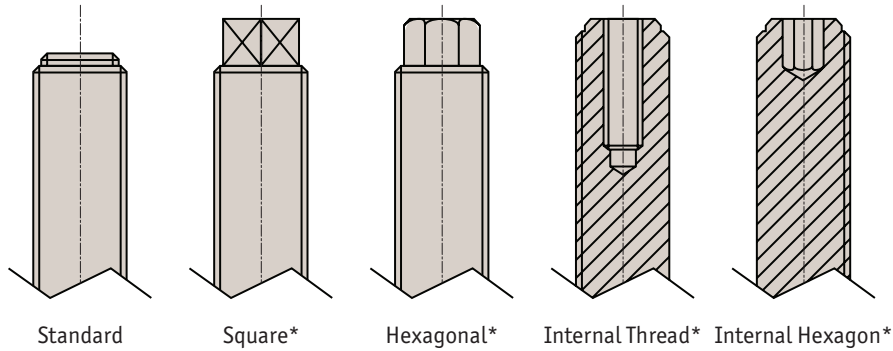


Order No.	d <sub>1</sub>	d <sub>2</sub>	h <sub>1</sub>	h <sub>2</sub>	h <sub>3</sub>	l <sub>1</sub>	l <sub>2</sub>	A/F	Load kgf max.	Weight g
<b>34704.W2407</b>	100	M24	288.5	38.5	28	250	69	24	1500	1005
<b>34704.W3000</b>	100	M30	139.5	39.5	28	100	69	30	1500	906
<b>34704.W3001</b>	100	M30	189.5	39.5	28	150	69	30	1500	1139
<b>34704.W3002</b>	100	M30	239.5	39.5	28	200	69	30	1500	1363
<b>34704.W3003</b>	100	M30	289.5	39.5	28	250	69	30	1500	1593

LEVELLING FEET



All levelling feet can be produced with the following fixing types:



### Thread versions

- Metric thread - coarse pitch (standard)
- Metric thread - fine pitch
- Thread gas 55°
- Imperial thread Unc
- Whitworth thread

\* For non-standard threads a minimum order will apply.

# Levelling Feet from Automation Components

LEVELLING FEET