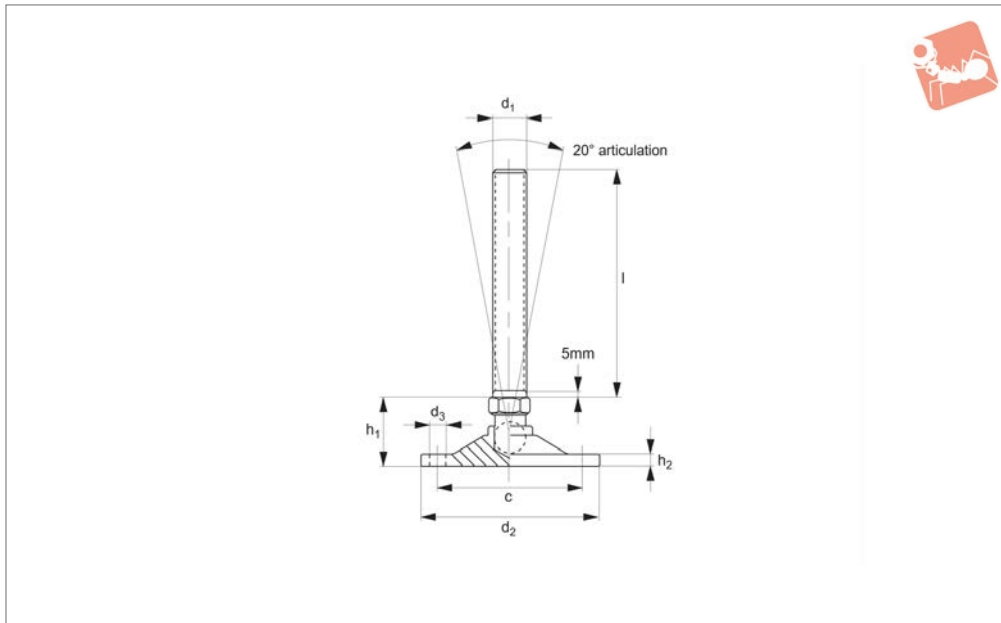




Levelling Feet - Bolt Down, Medium

pad and bolt **stainless steel**

Levelling Feet



34712

LEVELLING FEET

Material

Pad and bolt: stainless steel, AISI 303.

Technical Notes

Bolt has a 20° angle of movement.

Order No.	d ₁	d ₂	c	d ₃	l	h ₁	h ₂	Static load kN max.
34712.W0508	M 8	50	40	5.5	60	22	4.0	3.0
34712.W0600	M10	50	40	5.5	75	22	5.0	5.0
34712.W0620	M12	50	40	5.5	75	25	4.0	7.5
34712.W0621	M12	60	50	5.5	75	25	5.0	12.5
34712.W0622	M12	60	50	5.5	125	25	5.0	12.5
34712.W0623	M12	60	50	5.5	150	25	5.0	12.5
34712.W0660	M16	80	68	6.5	75	31	6.0	17.5
34712.W0661	M16	80	68	6.5	125	31	6.0	17.5
34712.W0662	M16	80	68	6.5	150	31	6.0	17.5
34712.W0700	M20	100	82	9.0	125	39	6.5	25.0
34712.W0701	M20	100	82	9.0	150	39	6.5	25.0
34712.W0702	M20	100	82	9.0	200	39	6.5	25.0
34712.W0703	M24	120	100	11.0	150	56	7.5	37.5
34712.W0704	M24	120	100	11.0	200	56	7.5	37.5