

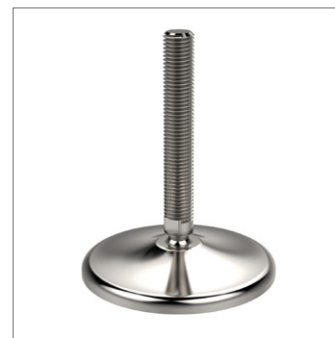
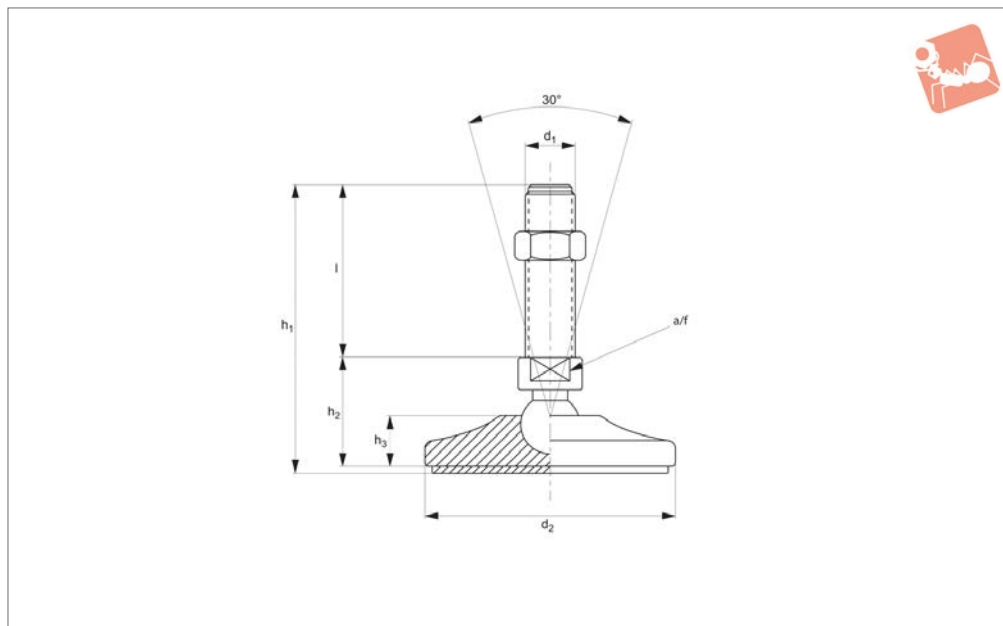


Levelling Feet

stainless steel, heavy duty



Levelling Feet



34716

LEVELLING FEET

Material

Stainless steel (AISI 304), with rubber pad (70 Shore A).

Stainless steel (AISI 316) version available

on request.

Technical Notes

Load values refer to static loads, located at

half the screw height.

When vibrations or dynamic loads are present these values should be reduced.

Order No.	d ₁	d ₂	l	h ₁	h ₂	h ₃	A/F	Load kN max.
34716.W2000	M20	160	75	127	49	26	20	50
34716.W2001	M20	160	100	152	49	26	20	50
34716.W2002	M20	160	125	177	49	26	20	50
34716.W2003	M20	160	150	202	49	26	20	50
34716.W2004	M20	160	175	227	49	26	20	50
34716.W2005	M20	160	200	252	49	26	20	50
34716.W2400	M24	160	75	127	49	26	20	60
34716.W2401	M24	160	100	152	49	26	20	60
34716.W2402	M24	160	125	177	49	26	20	60
34716.W2403	M24	160	150	202	49	26	20	60
34716.W2404	M24	160	175	227	49	26	20	60
34716.W2405	M24	160	200	252	49	26	20	60
34716.W3000	M30	160	100	152	49	26	26	70
34716.W3001	M30	160	125	177	49	26	26	70
34716.W3002	M30	160	150	202	49	26	26	70
34716.W3003	M30	160	175	227	49	26	26	70
34716.W3004	M30	160	200	252	49	26	26	70
34716.W3005	M30	160	225	277	49	26	26	70
34716.W3006	M30	160	250	302	49	26	26	70
34716.W3600	M36	160	150	204	51	26	32	80
34716.W3601	M36	160	200	254	51	26	32	80