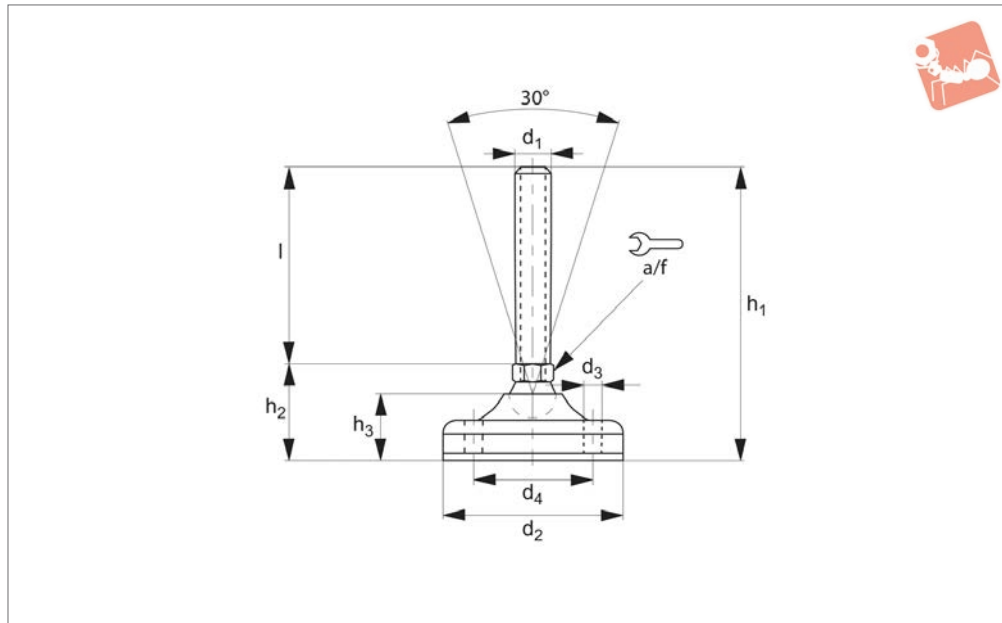




# Levelling Feet - Heavy Duty

bolt down option, bolt **stainless steel**

# Levelling Feet



**34746**

LEVELLING FEET

### Material

Pad: polyamide reinforced by fibre glass with anti-slip pad.  
Bolt: stainless steel AISI 304.

### Technical Notes

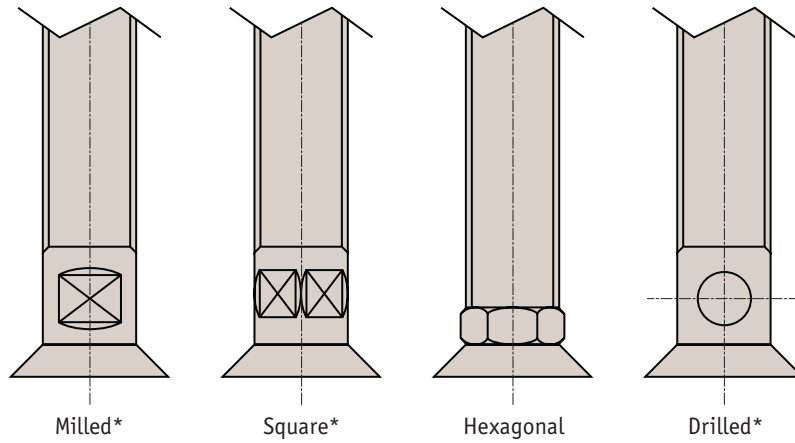
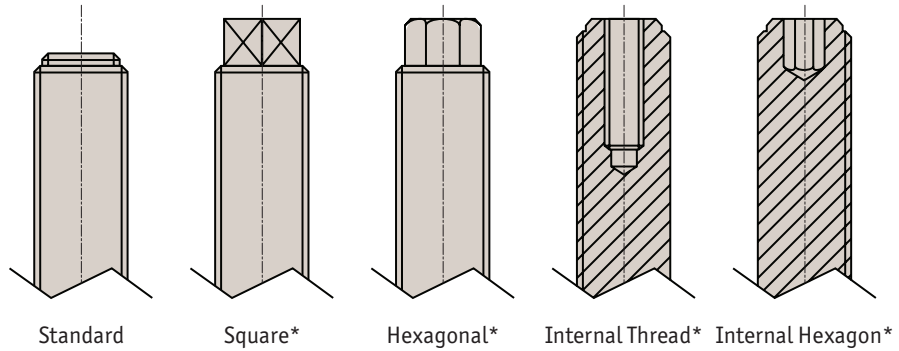
Load values refer to static loads, located at half the screw height.  
When vibrations or dynamic loads are

present these values should be reduced.  
Larger pad size allows for bolt down holes to be drilled through.

Order No.	d <sub>1</sub>	d <sub>2</sub>	l	d <sub>3</sub>	d <sub>4</sub>	h <sub>1</sub>	h <sub>2</sub>	h <sub>3</sub>	A/F	Load kN max.
34746.W1600	M16	123	50	12.5	87	110	60	40	20	35
34746.W1601	M16	123	75	12.5	87	135	60	40	20	35
34746.W1602	M16	123	100	12.5	87	160	60	40	20	35
34746.W1603	M16	123	125	12.5	87	185	60	40	20	35
34746.W1604	M16	123	150	12.5	87	210	60	40	20	35
34746.W1605	M16	123	175	12.5	87	235	60	40	20	35
34746.W1606	M16	123	200	12.5	87	260	60	40	20	35
34746.W1607	M16	123	225	12.5	87	285	60	40	20	35
34746.W2000	M20	123	75	12.5	87	135	60	40	20	35
34746.W2001	M20	123	100	12.5	87	160	60	40	20	35
34746.W2002	M20	123	125	12.5	87	185	60	40	20	35
34746.W2003	M20	123	150	12.5	87	210	60	40	20	35
34746.W2004	M20	123	175	12.5	87	235	60	40	20	35
34746.W2005	M20	123	200	12.5	87	260	60	40	20	35
34746.W2006	M20	123	225	12.5	87	285	60	40	20	35
34746.W2007	M20	123	250	12.5	87	310	60	40	20	35
34746.W2400	M24	123	75	12.5	87	135	60	40	20	35
34746.W2401	M24	123	100	12.5	87	160	60	40	20	35
34746.W2402	M24	123	125	12.5	87	185	60	40	20	35
34746.W2403	M24	123	150	12.5	87	210	60	40	20	35
34746.W2404	M24	123	175	12.5	87	235	60	40	20	35
34746.W2405	M24	123	200	12.5	87	260	60	40	20	35
34746.W2406	M24	123	225	12.5	87	285	60	40	20	35
34746.W2407	M24	123	250	12.5	87	310	60	40	20	35
34746.W3000	M30	123	100	12.5	87	161	61	40	26	35
34746.W3001	M30	123	125	12.5	87	186	61	40	26	35
34746.W3002	M30	123	150	12.5	87	211	61	40	26	35
34746.W3003	M30	123	175	12.5	87	236	61	40	26	35
34746.W3004	M30	123	200	12.5	87	261	61	40	26	35
34746.W3005	M30	123	225	12.5	87	286	61	40	26	35
34746.W3006	M30	123	250	12.5	87	311	61	40	26	35



All levelling feet can be produced with the following fixing types:



**Thread versions**

- Metric thread - coarse pitch (standard)
- Metric thread - fine pitch
- Thread gas 55°
- Imperial thread Unc
- Whitworth thread

\* For non-standard threads a minimum order will apply.