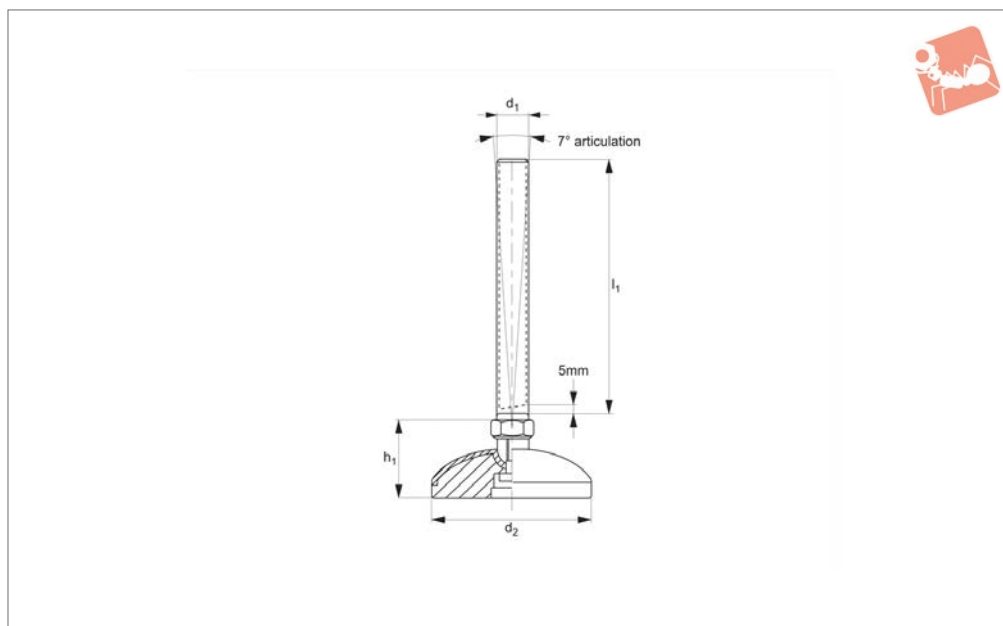




Machine Mount - Vibration Damp- pad and bolt - stainless steel

Levelling Feet



34751

LEVELLING FEET

Material

Pad: pressed stainless steel AISI 303.

Bolt: stainless steel AISI 303.

Pad insert: nitril rubber.

part ref 65686.

Tips

For use in wide range of industries including food processing, medical equipment, electronics and machinery workshops.

Technical Notes

Lock nuts available separately. Please see

Order No.	d ₁	l ₁	d ₂	h ₁	Static load kN max.
34751.W0100	M10	50	50	25	3.5
34751.W0101	M10	100	50	25	3.5
34751.W0120	M12	100	50	25	3.5
34751.W0121	M12	150	50	25	3.5
34751.W0160	M16	100	50	28	3.5
34751.W0161	M16	150	50	28	3.5
34751.W0162	M16	100	75	33	7.5
34751.W0163	M16	150	75	33	7.5
34751.W0164	M16	200	75	33	7.5
34751.W0165	M16	100	100	38	10.0
34751.W0166	M16	150	100	38	10.0
34751.W0167	M16	200	100	38	10.0
34751.W0200	M20	150	75	35	7.5
34751.W0201	M20	200	75	35	7.5
34751.W0202	M20	150	100	41	10.0
34751.W0203	M20	200	100	41	10.0
34751.W0240	M24	150	100	43	10.0
34751.W0241	M24	250	100	43	10.0