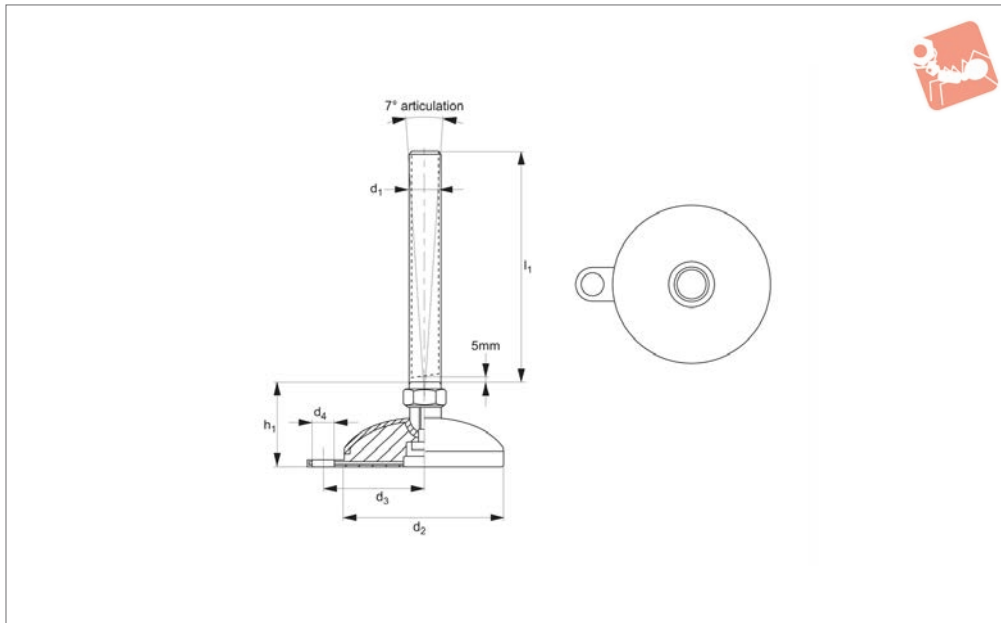




Machine Mount - Bolt Down pad and bolt - stainless steel

Levelling Feet



34752

LEVELLING FEET

Material

Pad: pressed stainless steel AISI 303.
Bolt: stainless steel AISI 303.
Pad insert: nitril rubber.

machine mount to be fixed in place.

Tips

For use in wide range of industries including food processing, medical equipment, electronics and machinery workshops.

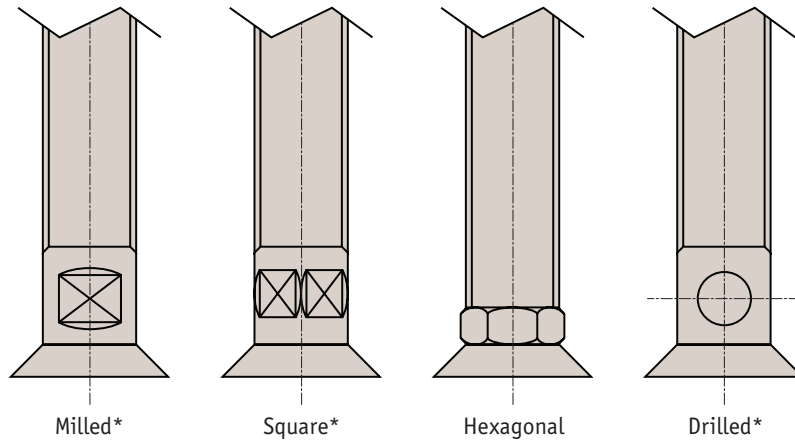
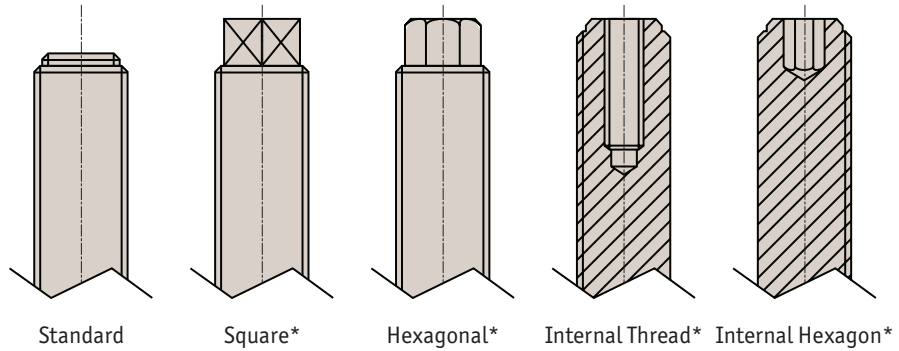
Technical Notes

Use of the bolt down tag allows the

Order No.	d ₁	l ₁	d ₂	d ₃	d ₄	h ₁	Static load kN max.
34752.W0662	M16	100	75	52	13	33	7.5
34752.W0663	M16	150	75	52	13	33	7.5
34752.W0664	M16	200	75	52	13	33	7.5
34752.W0665	M16	100	100	67	13	38	10.0
34752.W0666	M16	150	100	67	13	38	10.0
34752.W0667	M16	200	100	67	13	38	10.0
34752.W0700	M20	150	75	52	13	33	7.5
34752.W0701	M20	200	75	52	13	33	7.5
34752.W0702	M20	150	100	67	13	41	10.0
34752.W0703	M20	200	100	67	13	41	10.0
34752.W0740	M24	150	100	67	13	43	10.0
34752.W0741	M24	200	100	67	13	43	10.0



All levelling feet can be produced with the following fixing types:



Thread versions

- Metric thread - coarse pitch (standard)
- Metric thread - fine pitch
- Thread gas 55°
- Imperial thread Unc
- Whitworth thread

* For non-standard threads a minimum order will apply.