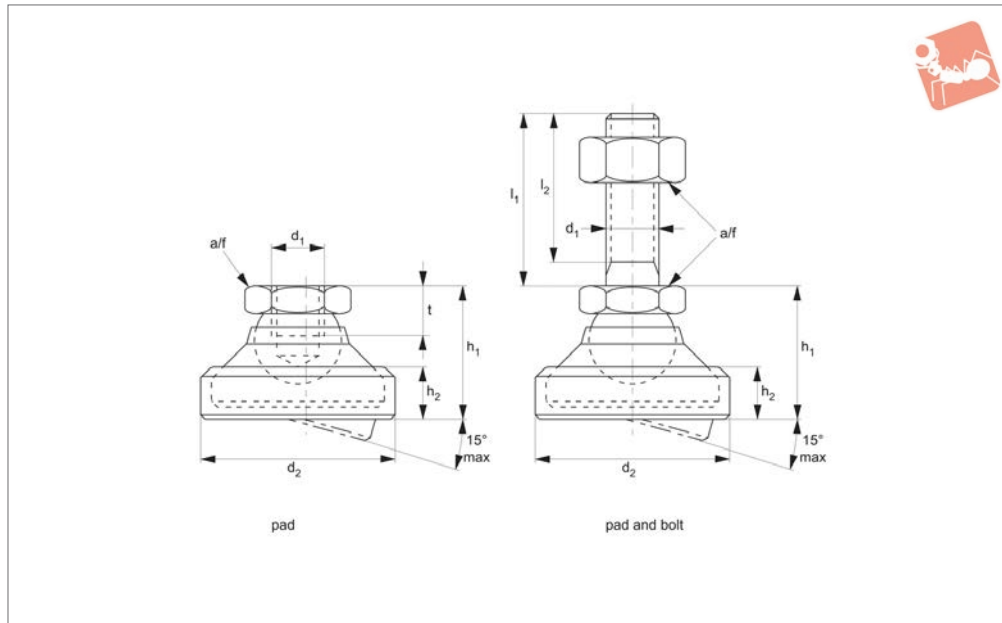




Levelling Feet - Non Slip

pad thermoplastic, bolt stainless steel

Levelling Feet



34761

LEVELLING FEET

Material

Pad: white thermoplastic (POM).
 Bolt: stainless steel 1.4305 (AISI 303).
 Lock nut: Stainless steel A2, DIN 934/ISO 4032.(M10, M12 only).

Cap: Black Rubber

Tips

To be used as feet and thrust pads. Used for levelling up to 15° on surface.

Also used:

34701 - Levelling Feet
 34700 - Levelling Feet - steel/stainless, non slip.

Order No.	Type	d ₁	l ₁	d ₂	l ₂	h ₁ ≈	h ₂	Static load kN max.	t	A/F	Weight g
34761.W1106	Pad	M 6	-	22.5	-	16.5	6.4	4	5.0	10	7
34761.W1108	Pad	M 8	-	28.0	-	20.6	8.3	7	7.0	13	16
34761.W1110	Pad	M10	-	36.0	-	26.0	11.0	10	9.0	17	32
34761.W1112	Pad	M12	-	45.0	-	30.5	13.2	18	11.0	19	51
34761.W1116	Pad	M16	-	56.0	-	37.5	15.5	20	13.5	24	96
34761.W1120	Pad	M20	-	67.0	-	49.5	19.5	22	17.0	30	190
34761.W1124	Pad	M24	-	69.0	-	55.0	24.0	25	19.0	36	240
34761.W1510	Pad and Bolt	M 6	60	22.5	57.0	16.5	6.4	4	-	10	21
34761.W1522	Pad and Bolt	M 8	80	28.0	76.0	20.6	8.3	7	-	13	49
34761.W1538	Pad and Bolt	M10	100	36.0	95.5	26.0	11.0	10	-	17	98
34761.W1542	Pad and Bolt	M10	150	36.0	145.5	26.0	11.0	10	-	17	124
34761.W1552	Pad and Bolt	M12	100	45.0	94.5	30.5	13.2	18	-	19	150
34761.W1556	Pad and Bolt	M12	150	45.0	144.5	30.5	13.2	18	-	19	184
34761.W1568	Pad and Bolt	M16	100	56.0	94.0	37.5	15.5	20	-	24	285
34761.W1572	Pad and Bolt	M16	200	56.0	194.0	37.5	15.5	20	-	24	414
34761.W1582	Pad and Bolt	M20	100	67.0	92.5	49.5	19.5	22	-	30	503
34761.W1588	Pad and Bolt	M20	200	67.0	192.5	49.5	19.5	22	-	30	704
34761.W1595	Pad and Bolt	M24	100	69.0	91.0	55.0	24.0	25	-	36	718
34761.W1598	Pad and Bolt	M24	200	69.0	191.0	55.0	24.0	25	-	36	1016



LEVELLING FEET

