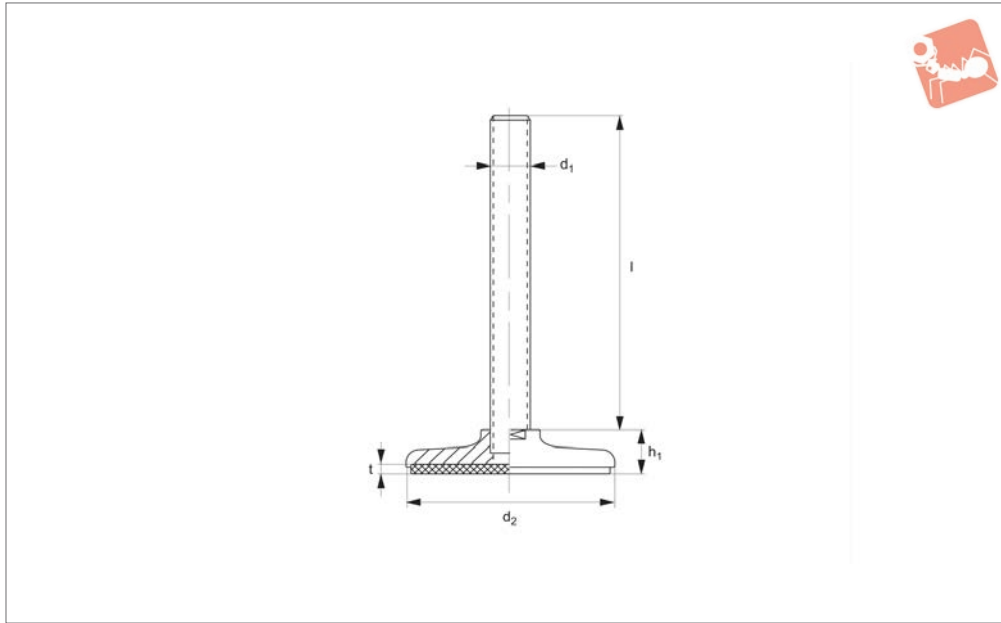




# Machine Feet - Low Profile

pad and bolt **stainless steel**

## Levelling Feet



**34780**

LEVELLING FEET

### Material

Pad & bolt: AISI 304 stainless steel.  
Inset nitrile rubber pad.

### Technical Notes

Suitable for use in food & drink, pharmaceutical and clean room environments.

Order No.	d <sub>1</sub>	d <sub>2</sub>	l	h <sub>1</sub>	Static load kN max.	t
34780.W0082	M 8	40	40	12	4.5	3
34780.W0084	M 8	40	60	12	4.5	3
34780.W0100	M10	40	40	12	6.0	3
34780.W0102	M10	40	60	12	6.0	3
34780.W0104	M10	40	80	12	6.0	3
34780.W0086	M 8	50	40	14	4.5	3
34780.W0088	M 8	50	60	14	4.5	3
34780.W0106	M10	50	40	14	6.0	3
34780.W0108	M10	50	60	14	6.0	3
34780.W0110	M10	50	80	14	6.0	3
34780.W0120	M12	50	50	15	7.5	3
34780.W0121	M12	50	75	15	7.5	3
34780.W0123	M12	50	100	15	7.5	3
34780.W0125	M12	60	75	15	12.5	3
34780.W0126	M12	60	125	15	12.5	3
34780.W0127	M12	60	150	15	12.5	3
34780.W0128	M12	80	150	21	15.0	3
34780.W0161	M16	80	150	21	20.0	3
34780.W0162	M16	120	150	24	20.0	3
34780.W0201	M20	120	200	24	30.0	3
34780.W0202	M20	150	200	26	30.0	3
34780.W0241	M24	150	200	26	40.0	3