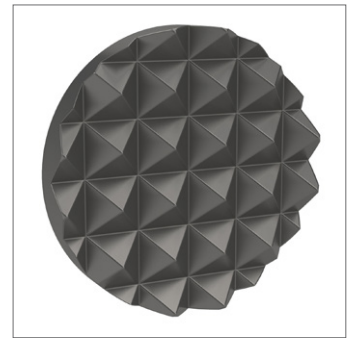
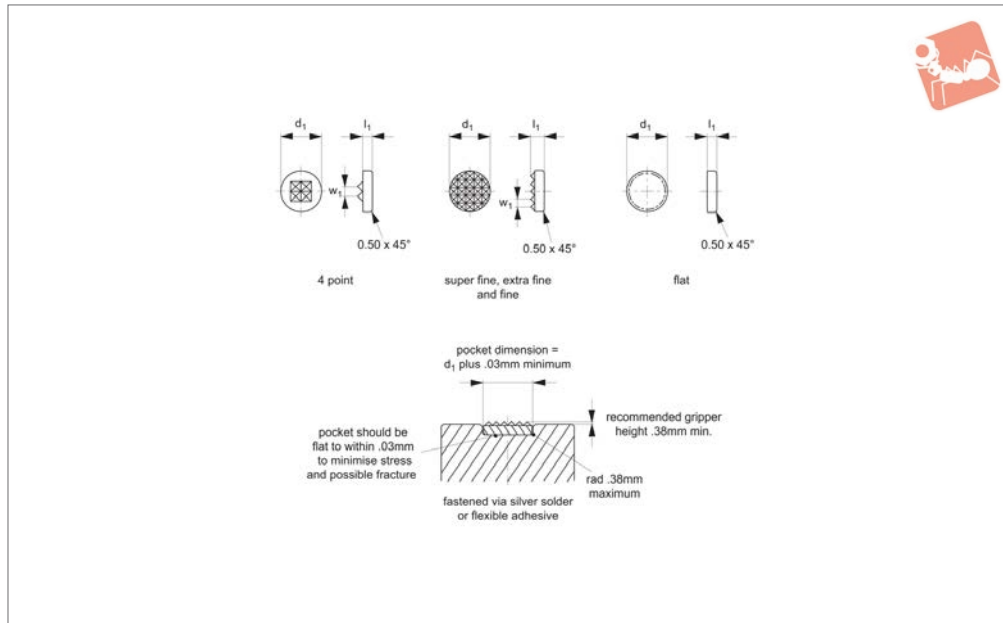




# Gripper Pads - Carbide round

# Grippers & Rest Pads



35300

GRIPPERS & REST PADS

### Material

Solid carbide.

### Technical Notes

Solid carbide pads are mounted into fixtures and press down on the surface of the clamped workpiece to give safe holding

without distortion. Carbide insert pads are especially suited for clamping cast and forged parts, as well as delicate workpieces such as pipes and tubes. Carbide insert pads can be built into clamps, stops and fixtures as well as chucks and vices.

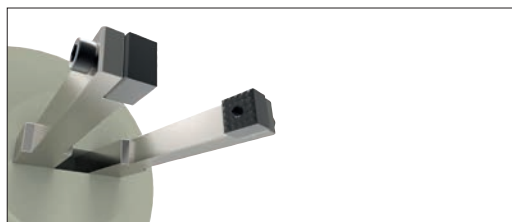
### Tips

Can be fastened via silver solder or a flexible adhesive. Note installation recommendations in technical diagram.

Order No.	Tooth pattern	$d_1$ +0.00 -0.13	$l_1$ +0.13 -0.00	$w_1$
35300.W0004	4 Point	7.9	3.2	3,9x90°
35300.W0008	4 Point	9.5	3.2	3,9x90°
35300.W0012	4 Point	11.1	3.2	3,9x90°
35300.W0015	4 Point	12.7	4.0	3,9x90°
35300.W0025	Super Fine	6.4	3.2	1,6x90°
35300.W0026	Super Fine	7.9	3.2	1,6x90°
35300.W0001	Extra Fine	6.4	3.2	2,4x90°
35300.W0003	Extra Fine	7.9	3.2	2,4x90°
35300.W0007	Extra Fine	9.5	3.2	2,4x90°
35300.W0011	Extra Fine	11.1	3.2	2,4x90°
35300.W0014	Extra Fine	12.7	3.2	2,4x90°
35300.W0018	Extra Fine	15.9	3.2	2,4x90°
35300.W0021	Extra Fine	19.1	3.2	2,4x90°
35300.W0023	Extra Fine	25.4	4.0	2,4x90°
35300.W0006	Fine	9.5	3.2	2,2x90°
35300.W0010	Fine	11.1	3.2	2,2x90°
35300.W0013	Fine	12.7	3.2	2,2x90°
35300.W0017	Fine	15.9	3.2	2,2x90°
35300.W0020	Fine	19.1	3.2	2,2x90°
35300.W0002	Flat	6.4	3.2	-
35300.W0005	Flat	7.9	3.2	-
35300.W0009	Flat	9.5	3.2	-
35300.W0016	Flat	12.7	3.2	-
35300.W0019	Flat	15.9	3.2	-
35300.W0022	Flat	19.1	3.2	-
35300.W0024	Flat	25.4	4.0	-



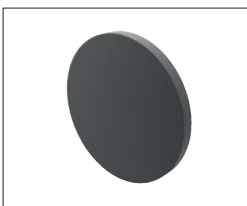
Grippers enhance workholding for multiple machining operations.



Grippers increase handling capability.

## Pads and Gripper Options

### Pads



**Solid Carbide**  
High impact carbide pads, can be brazed or bonded into place.



**Carbide Tipped**  
Constructed with high impact carbide pad brazed to a heat treated alloy steel body. Mount via tapped hole or a flat on the outside diameter for set screw mounting.



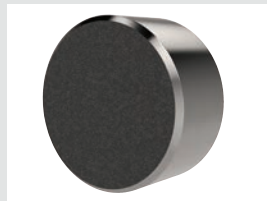
**Hardened Steel**  
Made from 8620 steel, carburized and hardened to Rc 58/60 1.2mm with black oxide finish. Mount via tapped or counter bored hole.



**Non-marking Thermoplast**  
Made from white thermoplast. Mount via tapped or counter bored hole.



**Stainless Steel**  
Pad from 17-4 stainless steel, hardened to Rc 43/46. Mount via tapped or counter bored hole.



**Abrasive Diamond Surface**  
Abrasive surface permanently fused to a 17-4 stainless steel pad, hardened to Rc 43/46. The surface texture is comparable to a 100 grit abrasive. Mount via tapped or counter bored hole.



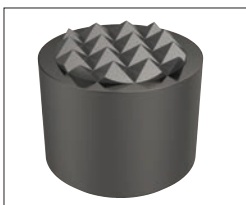
**Soft Urethane Surface**  
Urethane surface is permanently bonded to a 300 series stainless steel pad. The urethane provides excellent protection against damage on delicate work surfaces. Tapped hole mounting.

see our website for our full range:  
[wixroyd.com](http://wixroyd.com)

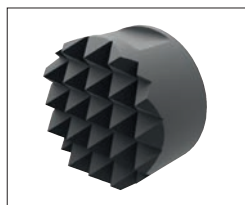
### Grippers



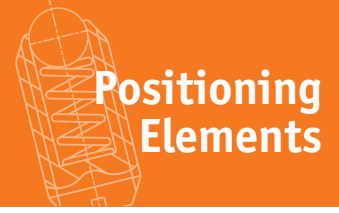
**High Speed Tool Steel**  
Manufactured from M-2 high speed tool steel, hardened to Rc 60/62 with black oxide finish. Mount via tapped hole, counter bored hole or a flat on the outside diameter for set screw mounting.



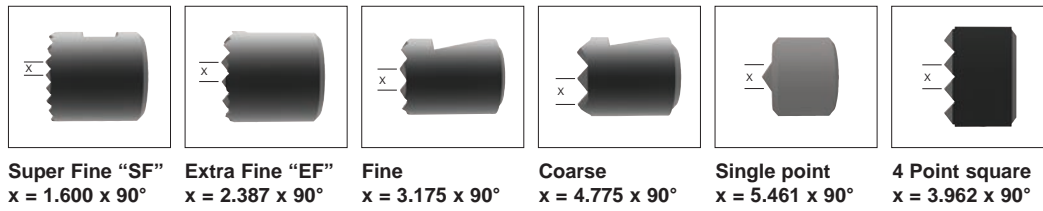
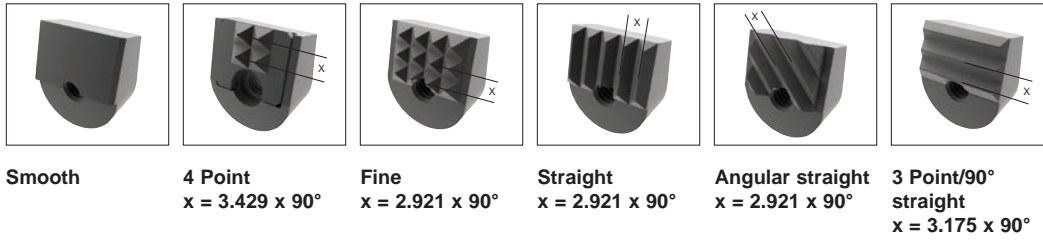
**Carbide Tipped**  
Constructed with high impact carbide pad brazed to a heat treated alloy steel body. Mounts via tapped hole or a flat on the outside diameter for set screw mounting.



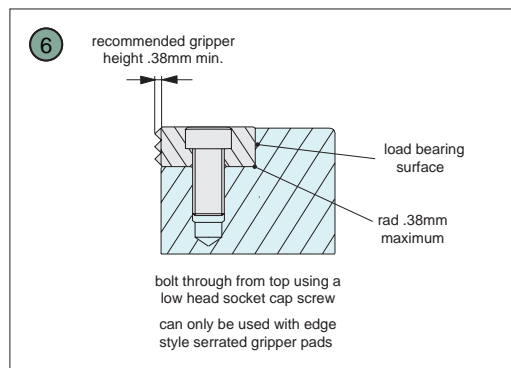
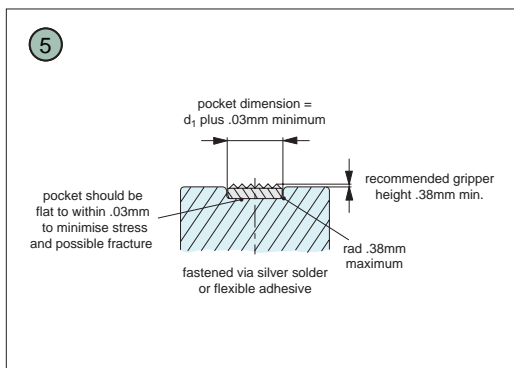
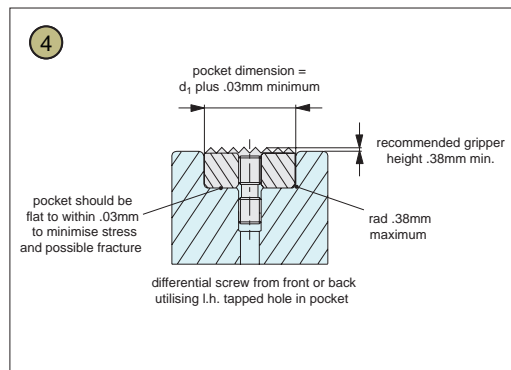
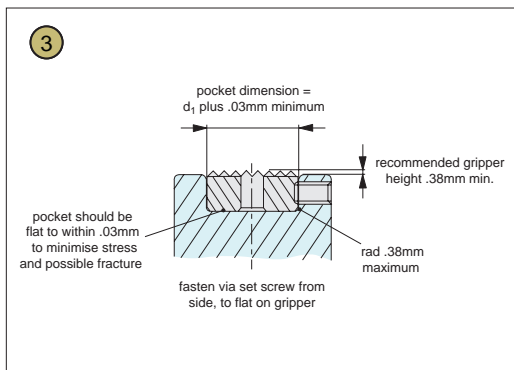
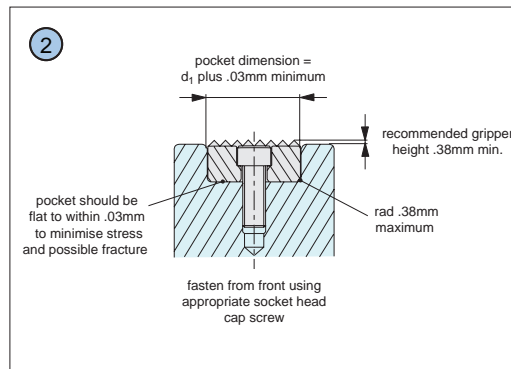
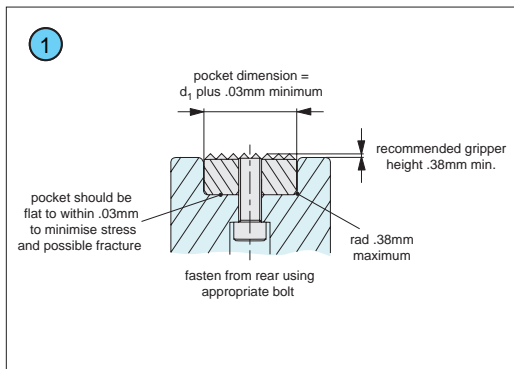
**Solid Carbide**  
Manufactured from high impact carbide in a solid gripper pad or as a solid gripper body with a threaded brazed-in steel insert. Mount via tapped hole or a flat on the outside diameter for set screw mounting.



### Tooth Pattern Specifications



### Mounting options



### Mounting Options for Carbide and Hardened Steel Grippers and Inserts.

Our carbide grippers and inserts can be installed in a number of different ways, the most suitable mounting method depends upon the specific insert – please refer to the product data table for specific information.

- 1 Round or square grippers and rest pads with tapped blind-hole or through hole tap.
- 2 Round or square grippers and rest pads with counter-bored hole.
- 3 Round grippers with flat on the O.D. for set screw mounting. Also square gripper mounting.
- 4 Round or square grippers with through tapped hole.
- 5 Round or square carbide pads.
- 6 Counter-bored edge grippers.



**A Range of Specialist Gripping Pads to Suit Your Application**

**Urethane Coated**



Unique urethane coat prevents marking of delicate components during machining or manipulation by robots. The urethane pad is permanently bonded to the stainless steel body of the gripping pad. With a bubbled texture, air is able to escape and hence avoid any suction action - enabling easy releasing of parts.

These are available in three different urethane durometers.



**35 durometer:**  
Pencil rubber top

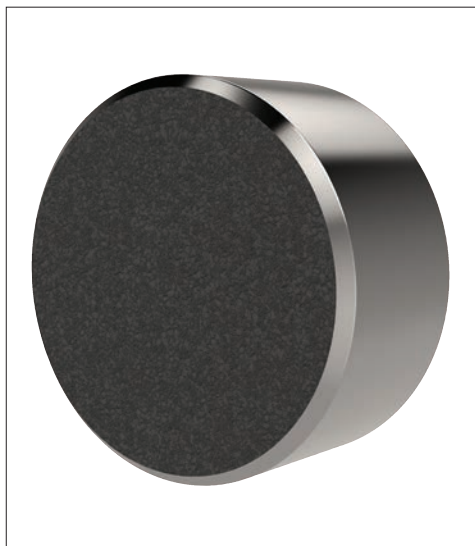


**60 durometer:**  
Car tyre



**80 durometer:**  
Skateboard wheel

**Abrasive Diamond Coated**



To improve handling of smooth or slippery components, with a minimum of clamping pressure, our abrasive diamond coated pads provide an excellent solution.

Diamond powders are permanently fused to a 17-4 stainless pad, to provide an abrasive surface comparable to 100 grit value.



**Sandpaper of 100 grit texture**

**Stainless Pads**



Pads of 17-4 Stainless, hardened to RC 43/46 provide solutions to applications where material selection is of greater importance; for example nuclear or food processing or pharmaceutical applications.