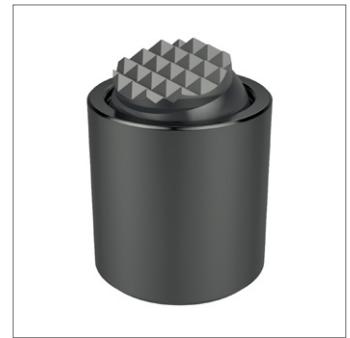
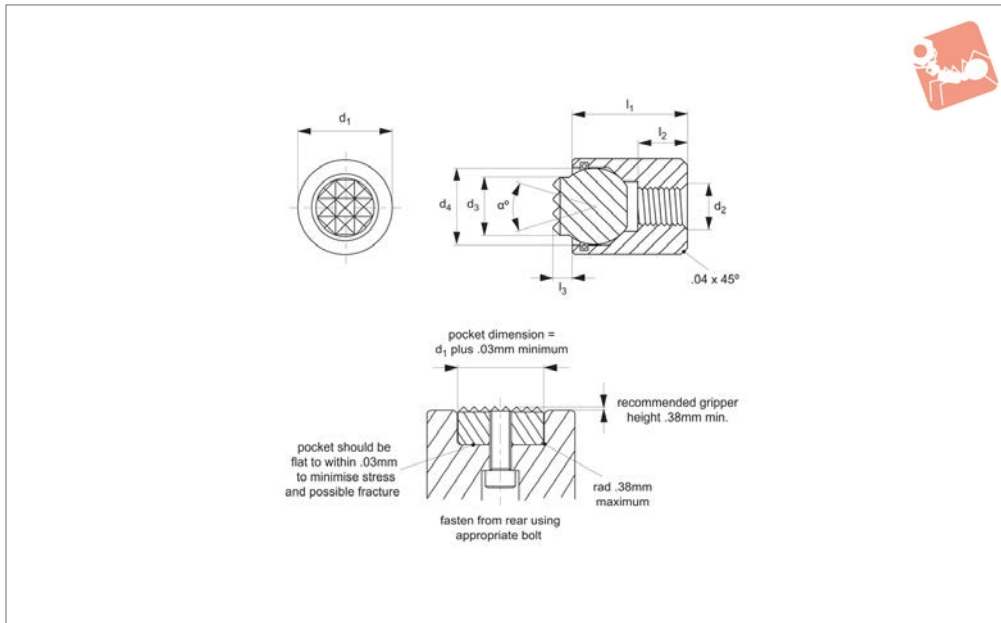




Grippers - Self Aligning - HTS

serrated - female threaded housing

Grippers & Rest Pads



35540.1

GRIPPERS & REST PADS

Material

Body: steel, hardened to HRC 43/46, black oxide finish.

Ball: M2 high speed steel, hardened to HRC 60/62.

Viton o-ring holds ball in place and prevents ingress of other material.

Technical Notes

These adjustable self-aligning pads serve

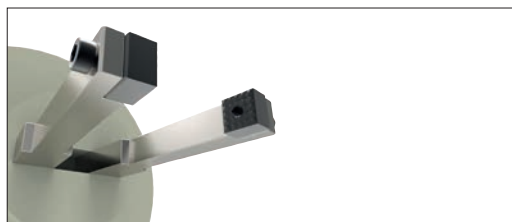
as stops, supports and thrust elements in jigs and fixtures. They can also be fitted to existing workholding elements.

Use low-profile hexagon nut (DIN 439B) for adjustment and securing if required.

Order No.	Tooth pattern	Type	d_1 +0.00 -0.13	d_2	d_3	d_4	l_1 ± 0.05	l_2 ± 0.25	l_3	Swivel angle α	Load rating kg
35540.W0001	Super Fine	Serrated	10	M 4x0,7	6.0	7	10.5	3.5	1.5	28	1173
35540.W0002	Super Fine	Serrated	10	M 4x0,7	6.0	7	10.5	3.5	3.0	28	1173
35540.W0003	Super Fine	Serrated	10	M 4x0,7	6.0	7	23.5	9.0	1.5	28	1173
35540.W0004	Super Fine	Serrated	10	M 4x0,7	6.0	7	23.5	9.0	3.0	28	1173
35540.W0005	Extra Fine	Serrated	13	M 5x0,8	8.5	10	14.5	6.5	1.5	24	2019
35540.W0006	Extra Fine	Serrated	13	M 5x0,8	8.5	10	14.5	6.5	3.0	24	2019
35540.W0007	Extra Fine	Serrated	13	M 5x0,8	8.5	10	23.5	9.0	1.5	24	2019
35540.W0008	Extra Fine	Serrated	13	M 5x0,8	8.5	10	23.5	9.0	3.0	24	2019
35540.W0009	Extra Fine	Serrated	17	M 6x1,0	10.0	13	18.0	7.5	4.0	42	2799
35540.W0010	Extra Fine	Serrated	17	M 6x1,0	10.0	13	18.0	7.5	6.0	42	2799
35540.W0011	Fine	Serrated	19	M 8x1,25	12.0	15	20.0	8.5	4.0	45	3941
35540.W0012	Fine	Serrated	19	M 8x1,25	12.0	15	20.0	8.5	6.0	45	3941
35540.W0013	Fine	Serrated	24	M10x1,5	16.0	20	24.0	9.0	4.0	40	5950
35540.W0014	Fine	Serrated	24	M10x1,5	16.0	20	24.0	9.0	6.0	40	5950



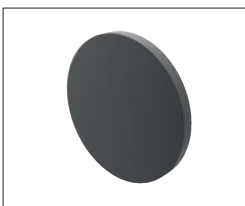
Grippers enhance workholding for multiple machining operations.



Grippers increase handling capability.

Pads and Gripper Options

Pads



Solid Carbide

High impact carbide pads, can be brazed or bonded into place.



Carbide Tipped

Constructed with high impact carbide pad brazed to a heat treated alloy steel body. Mount via tapped hole or a flat on the outside diameter for set screw mounting.



Hardened Steel

Made from 8620 steel, carburized and hardened to Rc 58/60 1.2mm with black oxide finish. Mount via tapped or counter bored hole.



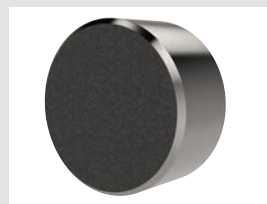
Non-marking Thermoplast

Made from white thermoplast. Mount via tapped or counter bored hole.



Stainless Steel

Pad from 17-4 stainless steel, hardened to Rc 43/46. Mount via tapped or counter bored hole.



Abrasive Diamond Surface

Abrasive surface permanently fused to a 17-4 stainless steel pad, hardened to Rc 43/46. The surface texture is comparable to a 100 grit abrasive. Mount via tapped or counter bored hole.

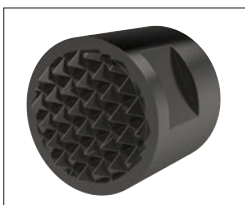


Soft Urethane Surface

Urethane surface is permanently bonded to a 300 series stainless steel pad. The urethane provides excellent protection against damage on delicate work surfaces. Tapped hole mounting.

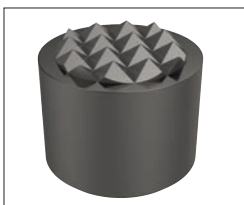
see our website for our full range:
wixroyd.com

Grippers



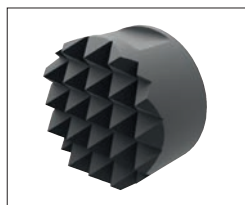
High Speed Tool Steel

Manufactured from M-2 high speed tool steel, hardened to Rc 60/62 with black oxide finish. Mount via tapped hole, counter bored hole or a flat on the outside diameter for set screw mounting.



Carbide Tipped

Constructed with high impact carbide pad brazed to a heat treated alloy steel body. Mounts via tapped hole or a flat on the outside diameter for set screw mounting.



Solid Carbide

Manufactured from high impact carbide in a solid gripper pad or as a solid gripper body with a threaded brazed-in steel insert. Mount via tapped hole or a flat on the outside diameter for set screw mounting.



A Range of Specialist Gripping Pads to Suit Your Application



Unique urethane coat prevents marking of delicate components during machining or manipulation by robots. The urethane pad is permanently bonded to the stainless steel body of the gripping pad. With a bubbled texture, air is able to escape and hence avoid any suction action - enabling easy releasing of parts.

Urethane Coated

These are available in three different urethane durometers.



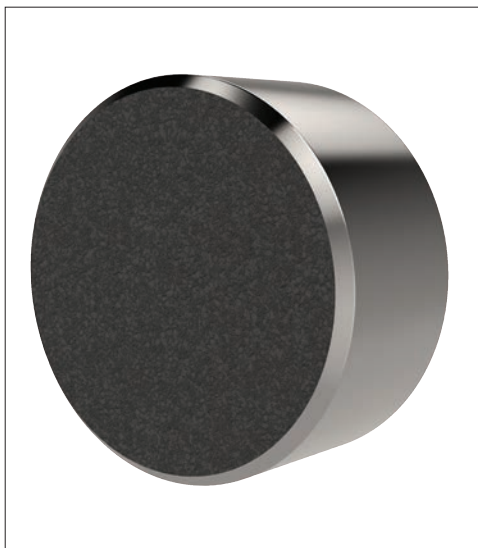
35 durometer:
Pencil rubber top



60 durometer:
Car tyre



80 durometer:
Skateboard wheel



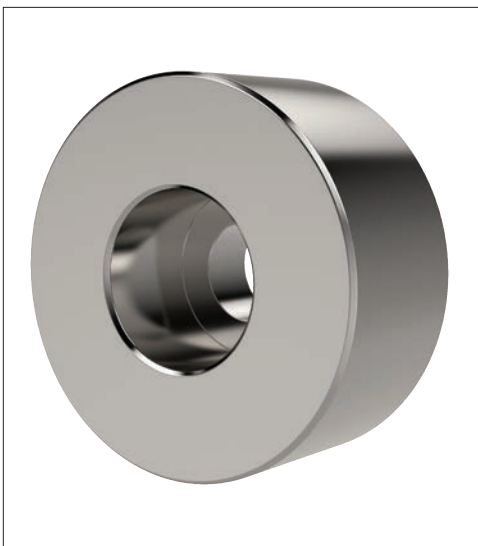
To improve handling of smooth or slippery components, with a minimum of clamping pressure, our abrasive diamond coated pads provide an excellent solution.

Abrasive Diamond Coated

Diamond powders are permanently fused to a 17-4 stainless pad, to provide an abrasive surface comparable to 100 grit value.



Sandpaper of 100
grit texture



Pads of 17-4 Stainless, hardened to RC 43/46 provide solutions to applications where material selection is of greater importance; for example nuclear or food processing or pharmaceutical applications.

Stainless Pads