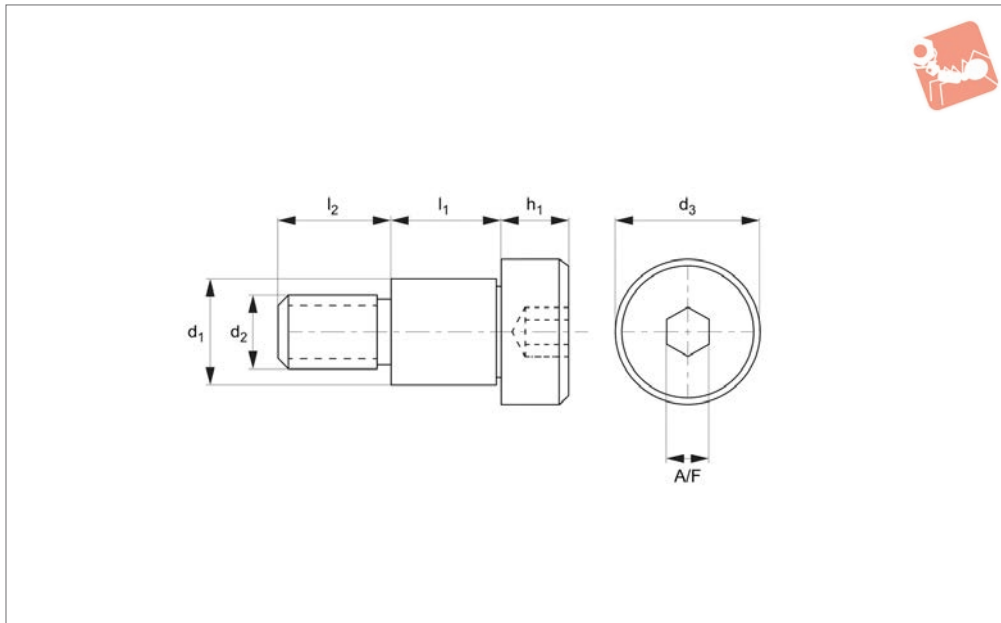




Shoulder Screws - Cap Head

hex drive - 316 stainless

Shoulder Screws



36644.A4

SHOULDER SCREWS

Material

Stainless steel (AISI 316, 1.440).
Tensile strength 480 N/mm².
Proof stress min. 200 N/mm², austenitic stainless steel.

Technical Notes

Highly resistant to corrosion (including

from salt water).

These 316 series stainless steel shoulder bolts are considerably more expensive than our standard 303 grade stainless shoulder bolts (P0130+).

Shim washers can be used to reduce shoulder length if required. It is non-

magnetic.

Can also be manufactured (for a batch size) in aluminium, monel & titanium.

Order No.	d ₁ +0 -0.025	l ₁ +0.05 -0.0	d ₂	d ₃	l ₂	h ₁	A/F
36644.W0404-A4	4	4	M 3	6	4	3.0	2
36644.W0405-A4	4	5	M 3	6	4	3.0	2
36644.W0406-A4	4	6	M 3	6	4	3.0	2
36644.W0408-A4	4	8	M 3	6	4	3.0	2
36644.W0410-A4	4	10	M 3	6	4	3.0	2
36644.W0510-A4	5	10	M 4	8	5	4.0	2.5
36644.W0512-A4	5	12	M 4	8	5	4.0	2.5
36644.W0516-A4	5	16	M 4	8	5	4.0	2.5
36644.W0520-A4	5	20	M 4	8	5	4.0	2.5
36644.W0525-A4	5	25	M 4	8	5	4.0	2.5
36644.W0530-A4	5	30	M 4	8	5	4.0	2.5
36644.W0610-A4	6	10	M 5	10	6	5.0	3
36644.W0612-A4	6	12	M 5	10	6	5.0	3
36644.W0616-A4	6	16	M 5	10	6	5.0	3
36644.W0620-A4	6	20	M 5	10	6	5.0	3
36644.W0625-A4	6	25	M 5	10	6	5.0	3
36644.W0630-A4	6	30	M 5	10	6	5.0	3
36644.W0640-A4	6	40	M 5	10	6	5.0	3
36644.W0650-A4	6	50	M 5	10	6	5.0	3
36644.W0812-A4	8	12	M 6	12	11	6.0	4
36644.W0816-A4	8	16	M 6	12	11	6.0	4
36644.W0820-A4	8	20	M 6	12	11	6.0	4
36644.W0825-A4	8	25	M 6	12	11	6.0	4
36644.W0830-A4	8	30	M 6	12	11	6.0	4
36644.W0840-A4	8	40	M 6	12	11	6.0	4
36644.W0850-A4	8	50	M 6	12	11	6.0	4
36644.W1016-A4	10	16	M 8	14	12	7.0	5
36644.W1020-A4	10	20	M 8	14	12	7.0	5
36644.W1025-A4	10	25	M 8	14	12	7.0	5
36644.W1030-A4	10	30	M 8	14	12	7.0	5



Order No.	d_1 +0 -0.025	l_1 +0.05 -0.0	d_2	d_3	l_2	h_1	A/F
36644.W1040-A4	10	40	M 8	14	12	7.0	5
36644.W1050-A4	10	50	M 8	14	12	7.0	5
36644.W1060-A4	10	60	M 8	14	12	7.0	5
36644.W1070-A4	10	70	M 8	14	12	7.0	5
36644.W1216-A4	12	16	M10	20	16	8.0	6
36644.W1220-A4	12	20	M10	20	16	8.0	6
36644.W1225-A4	12	25	M10	20	16	8.0	6
36644.W1230-A4	12	30	M10	20	16	8.0	6
36644.W1240-A4	12	40	M10	20	16	8.0	6
36644.W1250-A4	12	50	M10	20	16	8.0	6
36644.W1260-A4	12	60	M10	20	16	8.0	6
36644.W1270-A4	12	70	M10	20	16	8.0	6