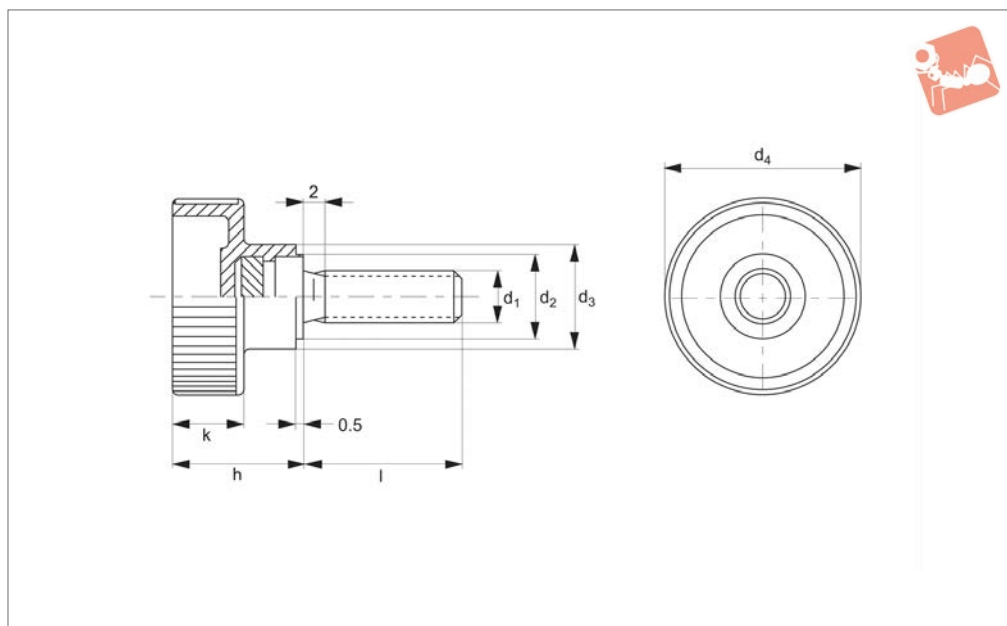




Knurled Thumb Screws

plastic - stainless steel grub screw

Thumb Screws



37354

THUMB SCREWS

Material

Handle: thermoplastic PA, black.

Screw: stainless steel 1.4567. (AISI 304)

Technical Notes

Temperature range from -30°C up to +80°C.

Order No.	d ₁	d ₂	d ₃	d ₄	h	k	l	Weight g
37354.W0242	M 5	9	12	19	14.0	8.0	10	4.3
37354.W0243	M 5	9	12	19	14.0	8.0	15	5.0
37354.W0245	M 5	9	12	19	14.0	8.0	20	5.5
37354.W0246	M 5	9	12	19	14.0	8.0	25	6.0
37354.W0250	M 6	12	14	24	16.5	9.5	10	7.0
37354.W0253	M 6	12	14	24	16.5	9.5	16	8.0
37354.W0254	M 6	12	14	24	16.5	9.5	20	9.0
37354.W0255	M 6	12	14	24	16.5	9.5	25	9.0
37354.W0257	M 6	12	14	24	16.5	9.5	30	10.0
37354.W0262	M 8	14	16	30	19.5	11.0	20	16.0
37354.W0264	M 8	14	16	30	19.5	11.0	25	17.0
37354.W0265	M 8	14	16	30	19.5	11.0	30	19.0
37354.W0267	M 8	14	16	30	19.5	11.0	40	20.0
37354.W0270	M10	16	18	36	22.5	12.5	20	30.0
37354.W0272	M10	16	18	36	22.5	12.5	25	31.0
37354.W0274	M10	16	18	36	22.5	12.5	30	33.0
37354.W0278	M 10	16	18	36	22.5	12.5	45	43.0
37354.W0280	M 10	16	18	36	22.5	12.5	55	48.0