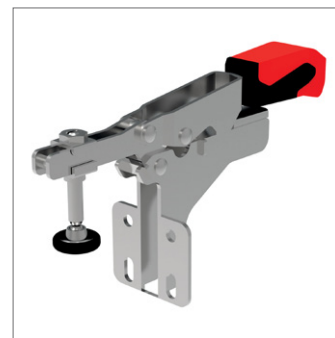
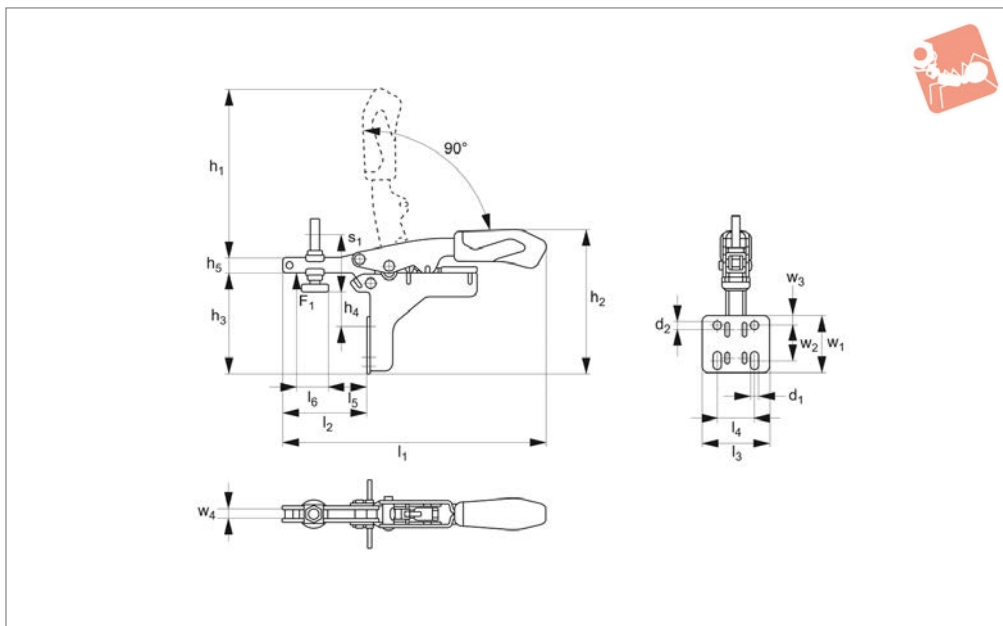




Auto-Adjust Toggle Clamp

open clamping arm - angle base

Auto-Adjust Toggle Clamps



42607

AUTO-ADJUST TOGGLE CLAMPS

Material

Body: steel, zinc plated.
Ergonomic, soft feel and oil-resistant handle with large grip area.

Supplied complete with zinc plated clamping screw (with rubber pad).

Technical Notes

Automatically adjusts to suit work-piece height.
Temperature range -10°C to +80°C.

Order No.	Size	F ₁ kN	Automatic height compensation s ₁		Height compensation max.		Clamping screw		h ₁	h ₂	h ₃	h ₄ min.	Weight g
42607.W0020	20	2	20		35		M 6x49	113	94	68	3	272	
42607.W0050	50	3	35		40		M 8x66	158	124	88	1	544	

Order No.	h ₄ max.	h ₅	l ₁	l ₂	l ₃	l ₄	l ₅	l ₆	d ₁	d ₂	w ₁	w ₂	w ₃	w ₄
42607.W0020	24	10	173	56	45	25.4	24	22	5.6	5.6	38	20,0-26,0	7.1	6.0
42607.W0050	30	13	244	85	57	38.1	31	40	6.5	6.5	51	20,5-30,0	10.6	8.2

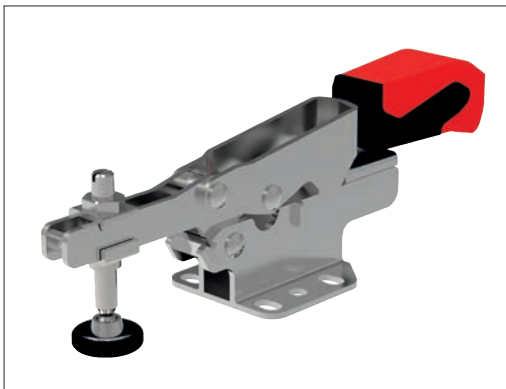


Benefits

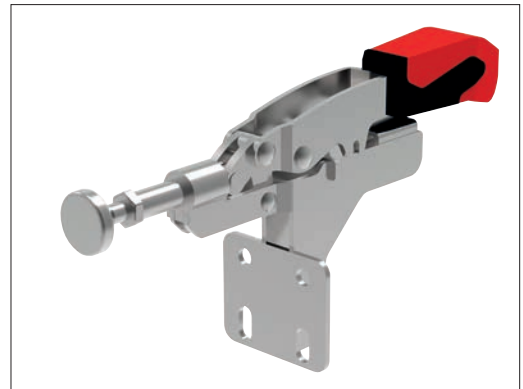
- Automatically adapts to workpiece height / width.
- Ideal for small batch sizes.
- Adjustable clamping forces.



Example Toggle Clamps



42605 - Horizontal base - vertical acting



42611 - Push pull type - horizontal acting