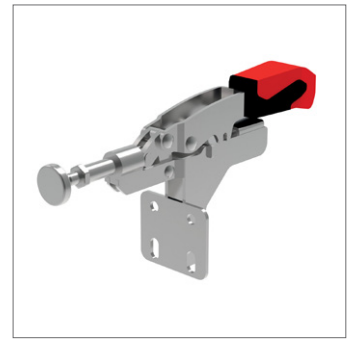
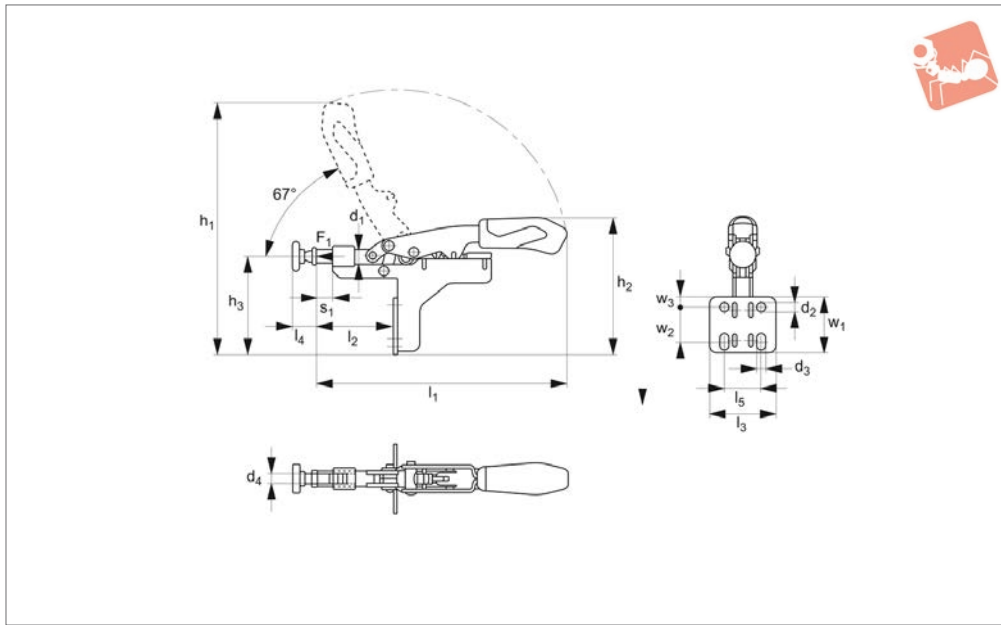




Auto-Adjust Push-Pull Toggle Clamp

angle base

Auto-Adjust Toggle Clamps



42611

AUTO-ADJUST TOGGLE CLAMPS

Material

Body: steel, zinc plated.
Ergonomic, soft feel and oil-resistant handle with large grip area.

Supplied complete with zinc plated clamping screw (with rubber pad).

Technical Notes

Automatically adjusts to suit work-piece height.
Temperature range -10°C to +80°C.

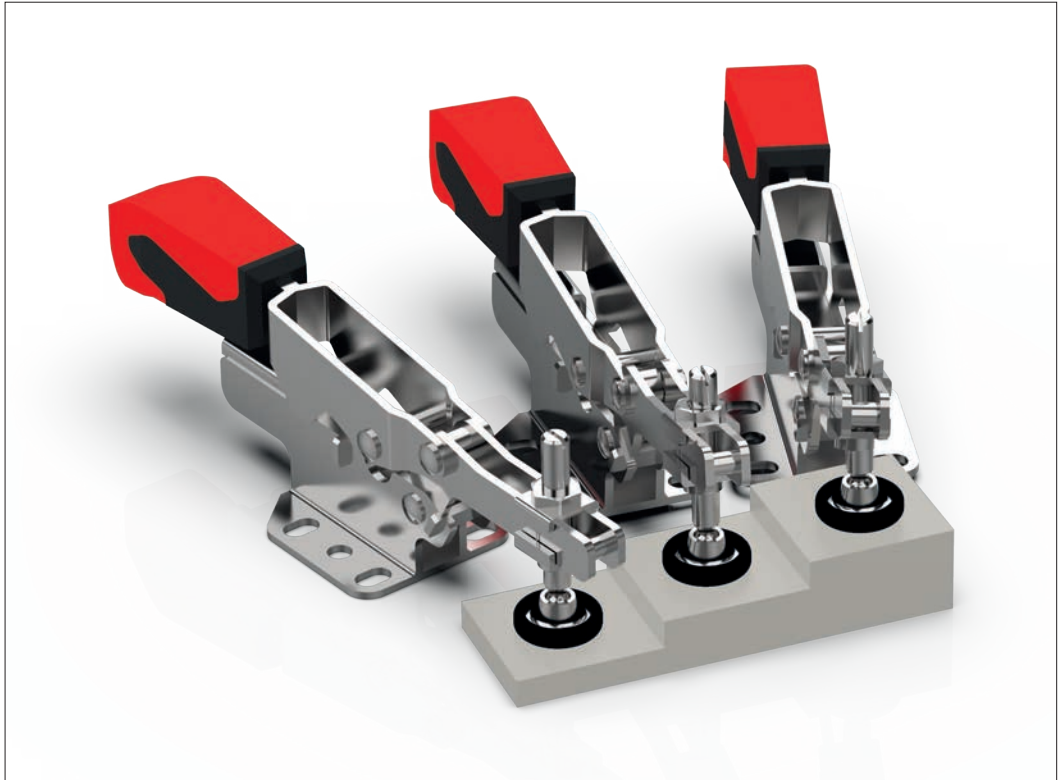
Order No.	Size	F ₁ kN	Automatic height compensation s ₁	Height compensation max.	Clamping screw	h ₁	h ₂	h ₃	l ₁	Weight g
42611.W0015	15	2	8	25	M 6x37	173	91	66	167	272
42611.W0025	25	3	13	35	M 8x50	238	119	84	236	544

Order No.	l ₂	l ₃	l ₄ min.	l ₄ max.	l ₅	d ₁	d ₂	d ₃	d ₄	w ₁	w ₂	w ₃
42611.W0015	42-59	45	14	29	25.4	8.5	5.6	5.6	M 6	38	20,0-26,0	7.1
42611.W0025	58-83	57	19	39	38.1	11.8	6.5	6.5	M 8	51	20,5-30,0	10.6

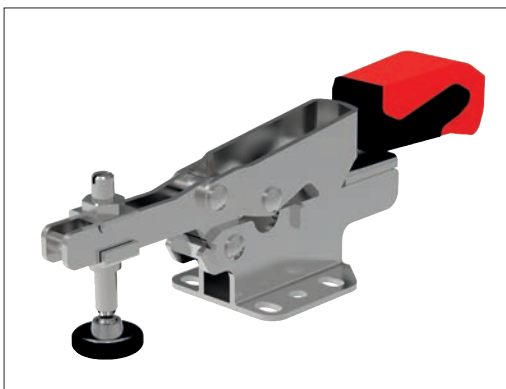


Benefits

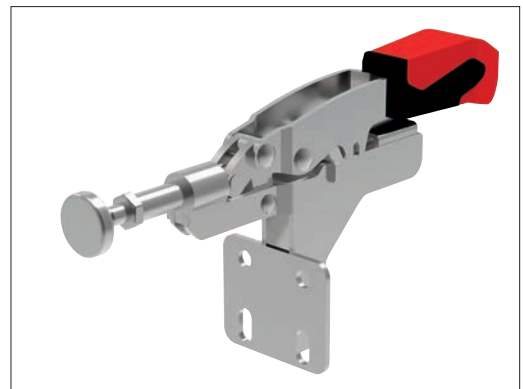
- Automatically adapts to workpiece height / width.
- Ideal for small batch sizes.
- Adjustable clamping forces.



Example Toggle Clamps



42605 - Horizontal base - vertical acting



42611 - Push pull type - horizontal acting