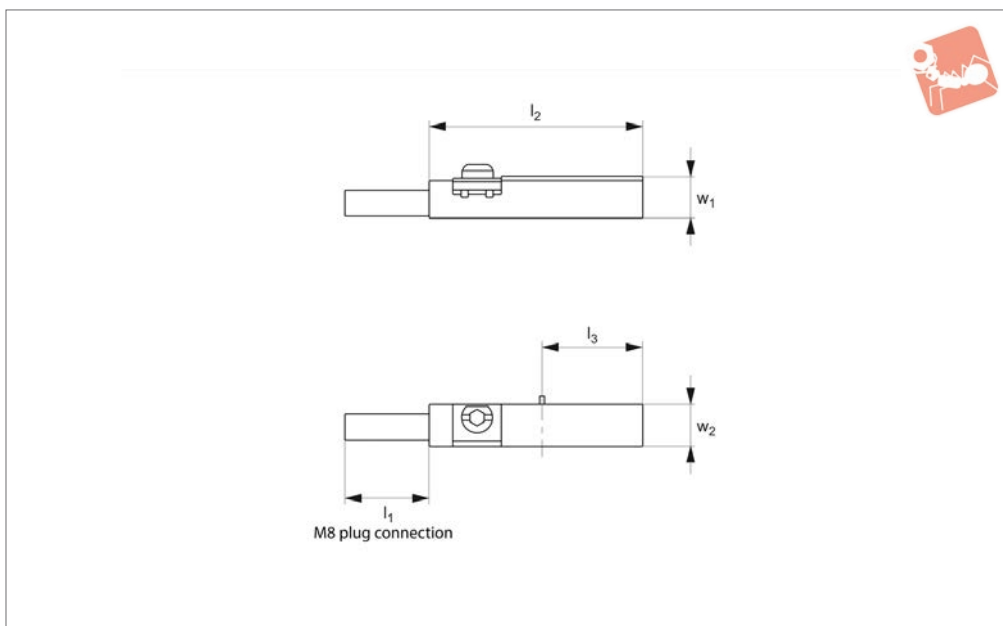




Proximity Switch for end-position sensing

Toggle Clamp Accessories



45001

TOGGLE CLAMP ACCESSORIES

Technical Notes

PUR cable 0.3m with M8 plug connection and rotating knurled nuts.

Switching function: NOC. Output: PNP.

| Order No. | Cable length l_1 | w_1 | l_2 | l_3 | w_2 | Weight g |
|-------------|--------------------|-------|-------|-------|-------|-------------|
| 45001.W0000 | 300 | 5.1 | 25.3 | 12 | 5 | 15 |