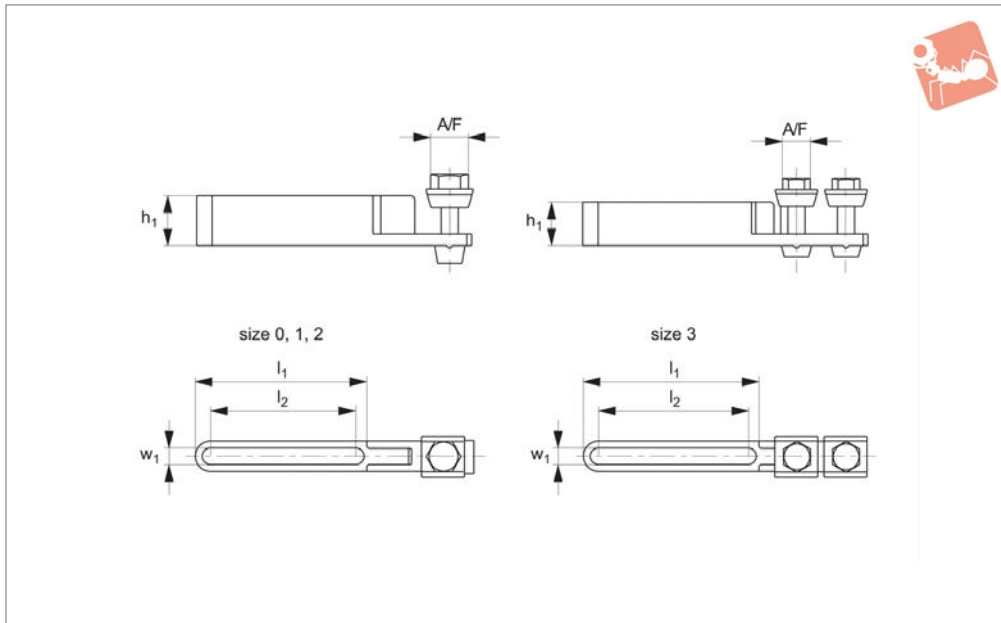




Clamping Arm Extension for manual toggle clamps

Toggle Clamp Accessories



45010

TOGGLE CLAMP ACCESSORIES

Material

Steel, blued.
Complete with fastening screw, without clamping screw

Technical Notes

For clamping screws see part 45020.
Temperature range -10°C to +80°C.

Tips

Can be shortened to required length.

Order No.	Size	w ₁	h ₁	l ₁	l ₂	To suit clamping screw	A/F	Weight g
45010.W0000	0	4.2	10	32.5	25	M 4	7	15
45010.W0001	1	5.2	12	55.0	45	M 5	8	25
45010.W0002	2	6.2	14	73.5	65	M 6	10	40
45010.W0003	3	8.2	20	82.0	70	M 8	13	80