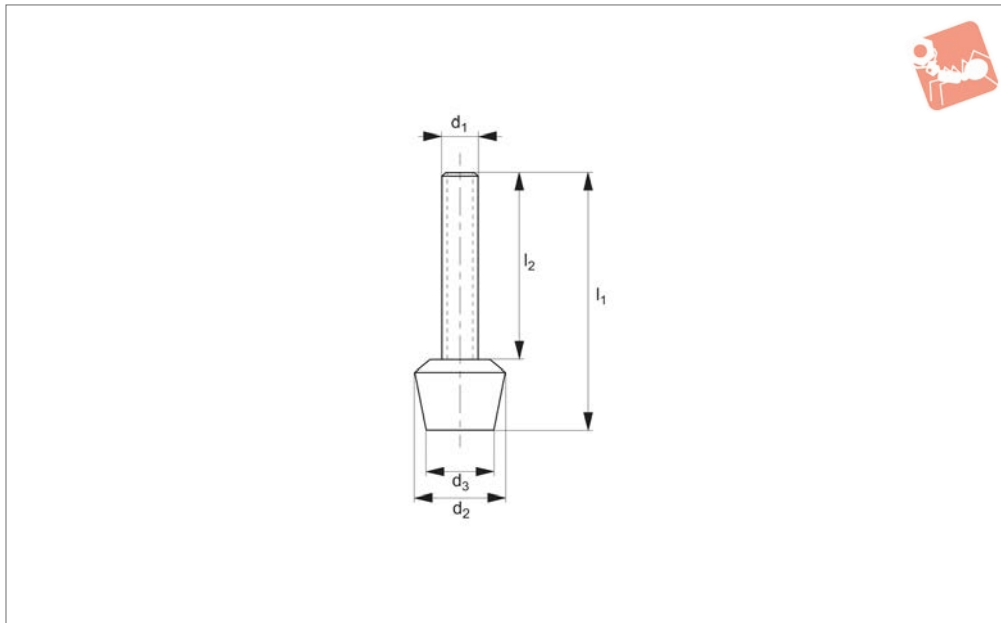




# Clamping Screws for Toggle Clamps

bonded pressure pad

## Toggle Clamp Accessories



**45016**

TOGGLE CLAMP ACCESSORIES

### Material

Screw: steel, zinc plated and tempered, strength class 8.8.

Pad: oil-resistant neoprene, hardness 85

shore A, silicone free.

### Technical Notes

The bonded pressure pad is used to prevent

damage to delicate workpieces.

Temperature range -10°C to +80°C.

Order No.	$d_1 \times l_1$	$d_2$	$d_3$	$l_2$	Weight g
45016.W0001	M 4x32	11	8	24	4
45016.W0002	M 5x38	13	10	28	8
45016.W0003	M 6x35	16	12	23	11
45016.W0004	M 6x45	16	12	33	13
45016.W0005	M 6x60	16	12	48	16
45016.W0006	M 8x48	21	16	32	25
45016.W0007	M 8x58	21	16	42	29
45016.W0008	M 8x63	21	16	47	31
45016.W0009	M 8x78	21	16	62	37
45016.W0010	M10x66	26	20	46	53
45016.W0011	M10x76	26	20	56	59
45016.W0012	M10x116	26	20	96	84
45016.W0013	M12x70	31	24	46	78
45016.W0014	M12x100	31	24	76	105
45016.W0015	M12x130	31	24	106	131