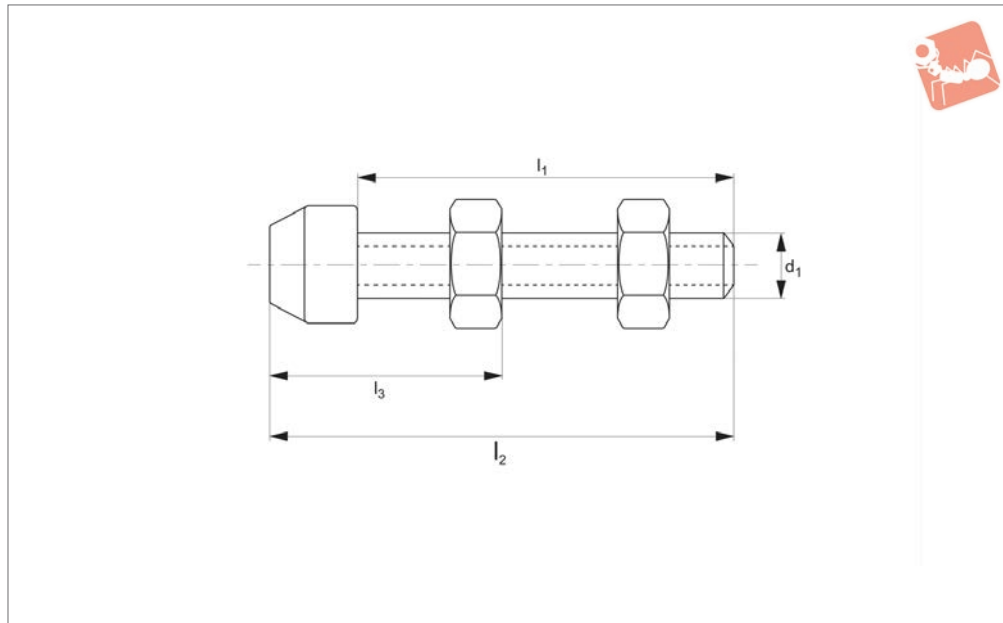


# Clamping Screws

for solid and fixed clamping arms

# Toggle Clamp Accessories



## 45018

TOGGLE CLAMP ACCESSORIES

### Material

Body: steel, zinc plated and tempered, tensile strength class 8.8.  
Supplied complete with two nuts and

removable protection pad.

Temperature range -10°C to +80°C.

### Technical Notes

For toggle clamps.

Order No.	Size	$d_1 \times l_1$	$l_2$	$l_3$	Weight g
45018.W0001	1	M 5x30	38	14-25	10
45018.W0002	2	M 6x35	45	17-25	20
45018.W0003	3	M 8x45	58	22-32	35
45018.W0004	4	M 8x65	78	22-52	40
45018.W0005	5	M12x80	98	30-60	130
45018.W0006	6	M12x110	128	30-88	160
45018.W0008	8	M16x120	130	25-84	280