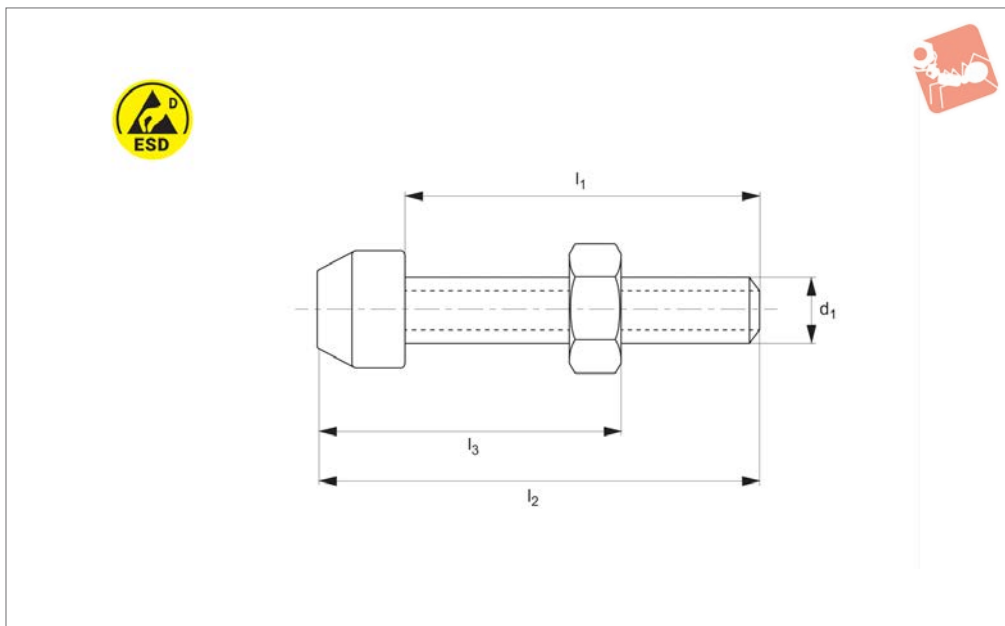




ESD Clamping Screws for push-pull toggle clamps

Toggle Clamp Accessories



45020.3

TOGGLE CLAMP ACCESSORIES

Material

Steel, zinc plated and tempered. Tensile strength class 8.8. With nut and removable rubber pad.

Technical Notes

The ESD (electrostatically sensitive devices) clamping screw is non-insulating. It must not be used in areas

where open voltages are used.

Order No.	Size	$d_1 \times l_1$ DIN 933	l_2	l_3	Weight g
45020.W0301	0+1	M 4x20	27	12-20	4
45020.W0302	2	M 6x25	35	17-25	15
45020.W0303	3	M 8x35	48	22-35	26



The ESD toggle clamps have been specially developed for working with electrostatically sensitive components, assemblies or devices in ESD protection zones (EPA) in accordance with the standard DIN EN 61340-5-1. All our toggle clamps have been tested and certified by an independent expert regarding leakage resistance, discharge time and surface tension.

Features

- Leakage resistance according to DIN IEC / TR 61340-5-2 between 10^{04} and 10^{09} Ohm.
- Discharge time according to DIN IEC / TR 61340-5-2 < 2 seconds.
- Surface tension (electric field strength) according to DIIN EN 61340-5-1 < 100 Volt.

