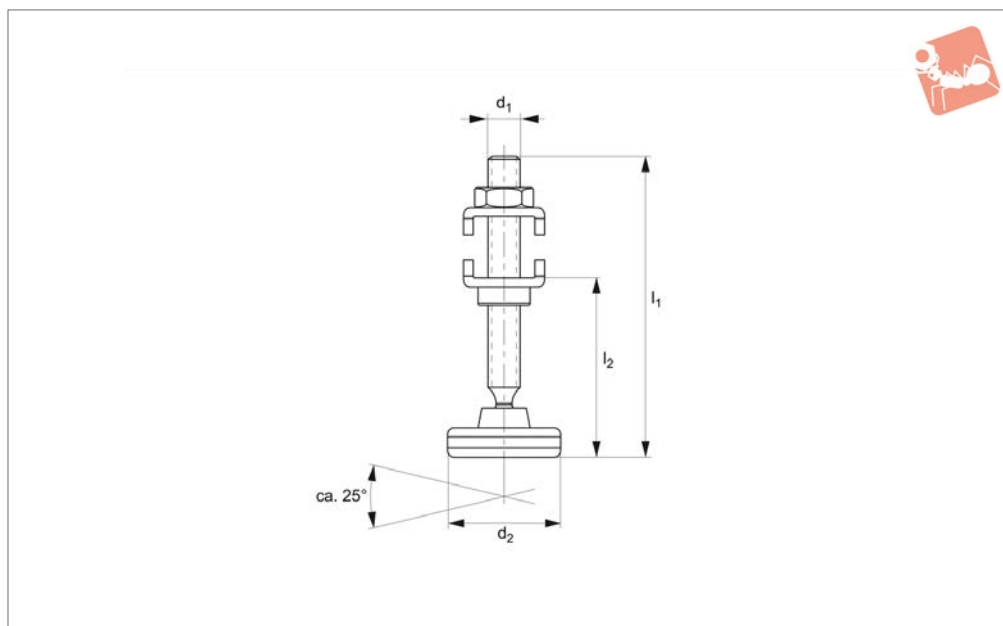




Clamping Screws for open clamping arms

Toggle Clamp Accessories



45070

TOGGLE CLAMP ACCESSORIES

Material

Steel, zinc plated.

Technical Notes

For use with auto adjust toggle clamps.

Order No.	Size	$d_1 \times l_1$	d_2	l_2	Weight g
45070.W0001	1	M 6x49	19	16-34	23
45070.W0002	2	M 8x50	27	21-31	51
45070.W0003	3	M 8x66	27	21-47	55