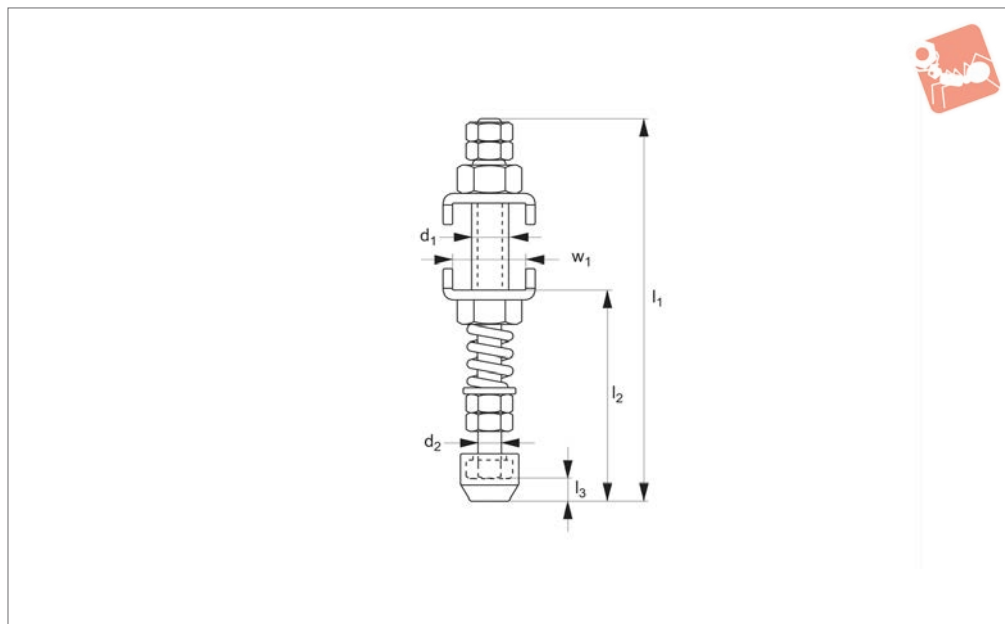




Spring Loaded Screws for open ended clamping arms

Toggle Clamp Accessories



45100

TOGGLE CLAMP ACCESSORIES

Material

Steel, zinc plated and tempered.
Rubber pad.

Tips

For toggle clamps with open ended arms.

Order No.	Size	d ₁	w ₁	l ₁	d ₂	l ₂	l ₃	Rubber pad 45120	Weight g
45100.W0003	3	M 8	14.5	90	M 5	39-52	5	.W0001	55
45100.W0004	4	M 8	18.5	90	M 5	40-53	5	.W0001	63
45100.W0005	5	M 8	20.5	90	M 5	40-48	5	.W0001	64
45100.W0006	6	M12	24.0	123	M 8	60-68	7	.W0003	182

