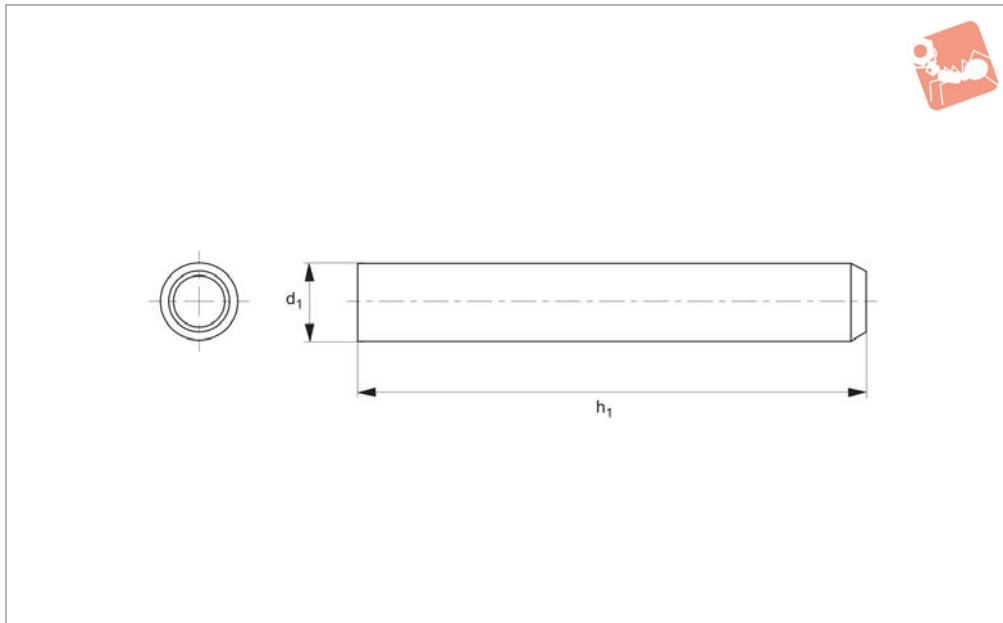




# Lever Arm Tube - Long

for modular toggle clamps

## Heavy Duty Toggle Clamps



**46070.4**

HEAVY DUTY TOGGLE CLAMPS

### Material

Steel, black oxide coated.  
For welding.

### Technical Notes

To suit modular toggle clamps 46050 and 46060.

Chamfered to protect operator's hands.

Order No.	Size	$d_1 \times h_1$	Weight g
46070.W0302	2	13x95	60
46070.W0304	4	18x120	132
46070.W0306	6	22x150	211
46070.W0308	8+10	28x180	333