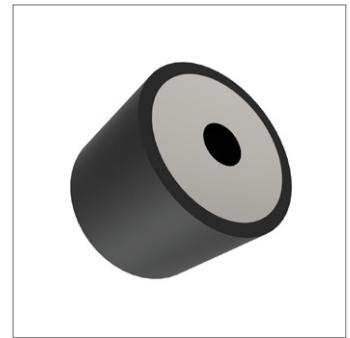
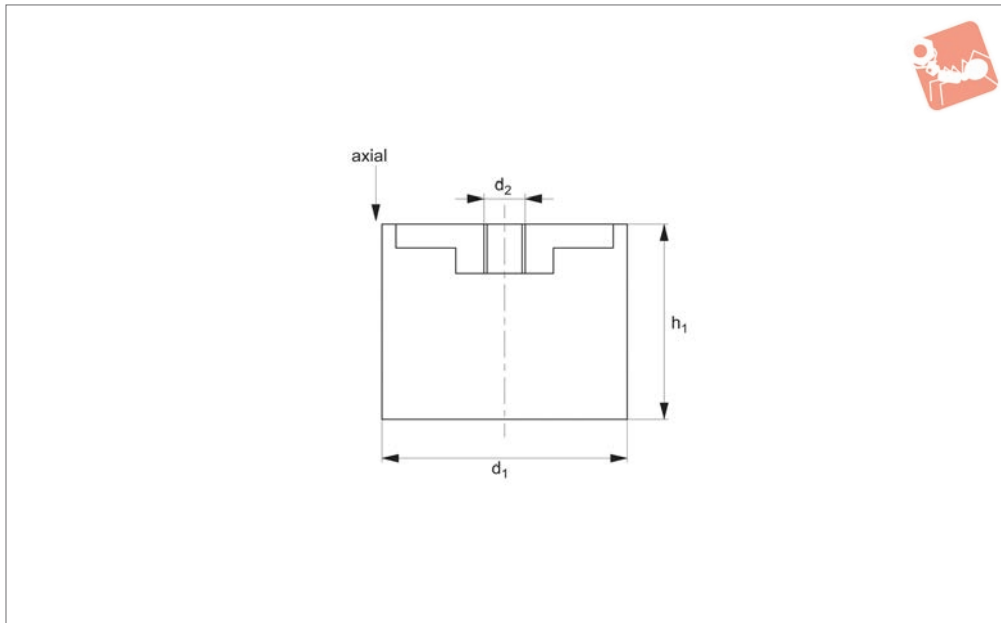




# Anti-vibration Feet female

## Anti-Vibration



### 61202

ANTI-VIBRATION

#### Material

Rubber on silver zinc plated steel (rubber hardness - 55 Shore A).

#### Tips

These feet or bumpers reduce shock and vibration.

Used widely as shock absorbers and feet for machine elements.

Order No.	d <sub>1</sub>	h <sub>1</sub>	d <sub>2</sub>	Compression max.	Axial load kgf max.
61202.W0100	10	10	M 4	2	10
61202.W0101	10	15	M 4	3	8
61202.W0130	13	10	M 5	1.5	12
61202.W0131	13	15	M 5	3	10
61202.W0132	13	20	M 5	3.5	20
61202.W0160	16	8	M 5	1.5	15
61202.W0161	16	10	M 5	1.5	20
61202.W0162	16	15	M 5	3	20
61202.W0163	16	20	M 5	4	20
61202.W0164	16	25	M 5	5	15
61202.W0200	20	10	M 6	2	30
61202.W0201	20	15	M 6	3	25
61202.W0202	20	20	M 6	4	25
61202.W0203	20	25	M 6	5	25
61202.W0204	20	30	M 6	7	25
61202.W0250	25	10	M 6	1.5	50
61202.W0251	25	15	M 6	3	50
61202.W0252	25	20	M 6	4	50
61202.W0253	25	22	M 6	4	45
61202.W0254	25	25	M 6	5	40
61202.W0256	25	30	M 6	6	35
61202.W0300	30	10	M 8	2	90
61202.W0301	30	15	M 8	3	90
61202.W0302	30	20	M 8	4	90
61202.W0303	30	22	M 8	4	90
61202.W0304	30	25	M 8	5	85
61202.W0305	30	30	M 8	6	80
61202.W0306	30	40	M 8	8	60
61202.W0350	35	35	M 8	8	90
61202.W0400	40	20	M 8	4	160
61202.W0401	40	25	M 8	6	155
61202.W0402	40	28	M 8	6	150
61202.W0403	40	30	M 8	8	150
61202.W0404	40	35	M 8	8	120

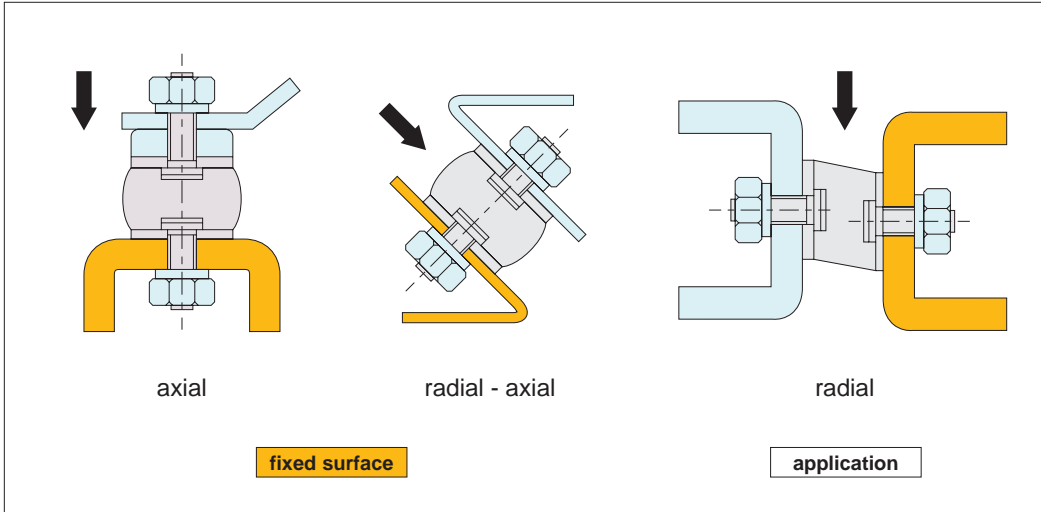


Order No.	d <sub>1</sub>	h <sub>1</sub>	d <sub>2</sub>	Compression max.	Axial load kgf max.
61202.W0405	40	40	M 8	10	120
61202.W0406	40	45	M 8	12	110
61202.W0504	50	40	M10	10	220
61202.W0505	50	45	M10	11	210
61202.W0506	50	50	M10	12	200
61202.W0507	50	55	M10	13	200
61202.W1001	100	60	M16	15	1100
61202.W1002	100	75	M16	17	1000
61202.W1200	120	50	M16	9	1500
61202.W1201	120	75	M16	13	1200
61202.W1202	120	100	M16	16	1000
61202.W1300	130	40	M16	6	1900
61202.W1301	130	50	M16	9	1600
61202.W1302	130	75	M16	13	1450
61202.W1303	130	100	M16	16	1200
61202.W1500	150	40	M20	9	1800
61202.W1501	150	60	M20	14	2200
61202.W1502	150	75	M20	16	2000
61202.W1503	150	100	M20	16	1400
61202.W1504	150	120	M20	16	1300
61202.W1505	150	140	M20	16	1200
61202.W0500	50	20	M10	4	250
61202.W0501	50	25	M10	5.5	250
61202.W0502	50	30	M10	8	250
61202.W0503	50	35	M10	9	230
61202.W0752	75	45	M12	10	500
61202.W0602	60	45	M10	10	300
61202.W0802	80	50	M14	10	750
61202.W0702	70	70	M10	13	300
61202.W0753	75	55	M12	13	450
61202.W0803	80	70	M14	15	550
61202.W0950	95	40	M16	8	1200
61202.W0951	95	55	M16	11	1000
61202.W0952	95	60	M16	12	800
61202.W0953	95	75	M16	13	700
61202.W0603	60	60	M10	12	250
61202.W0700	70	35	M10	7	450
61202.W0750	75	25	M12	5	650
61202.W0600	60	25	M10	5	400
61202.W0601	60	35	M10	7	350
61202.W0800	80	30	M14	5.5	900
61202.W0801	80	40	M14	9	600
61202.W0751	75	40	M12	9	500
61202.W1000	100	40	M16	8	1200
61202.W0701	70	50	M10	10	350



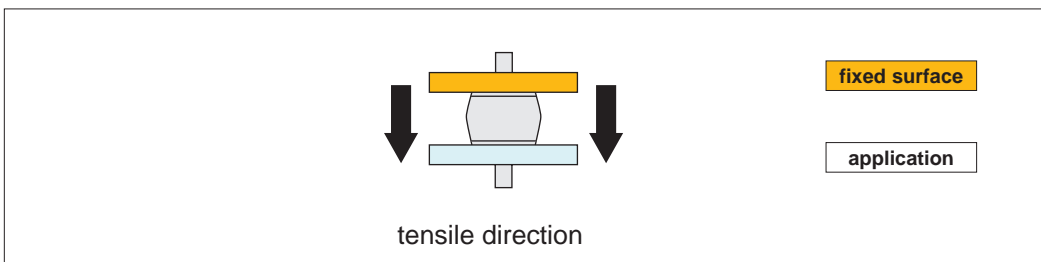
### Acceptable loads

Cylindrical mounts are never to be used in tension, they should only be used in axial or radial. Radial loads are however considerably less than axial loads. Parts with small diameters ( $d_1$ ) and relatively long lengths ( $h$ ) cannot accept radial loads.



### Installation

### Incorrect installation



### Correct installation

The height of the insulator may vary as the rubber is compressed under load.

Do not remove the rubber burr around the edge of the metal, this could cause detachment of rubber from the metal studs.

