

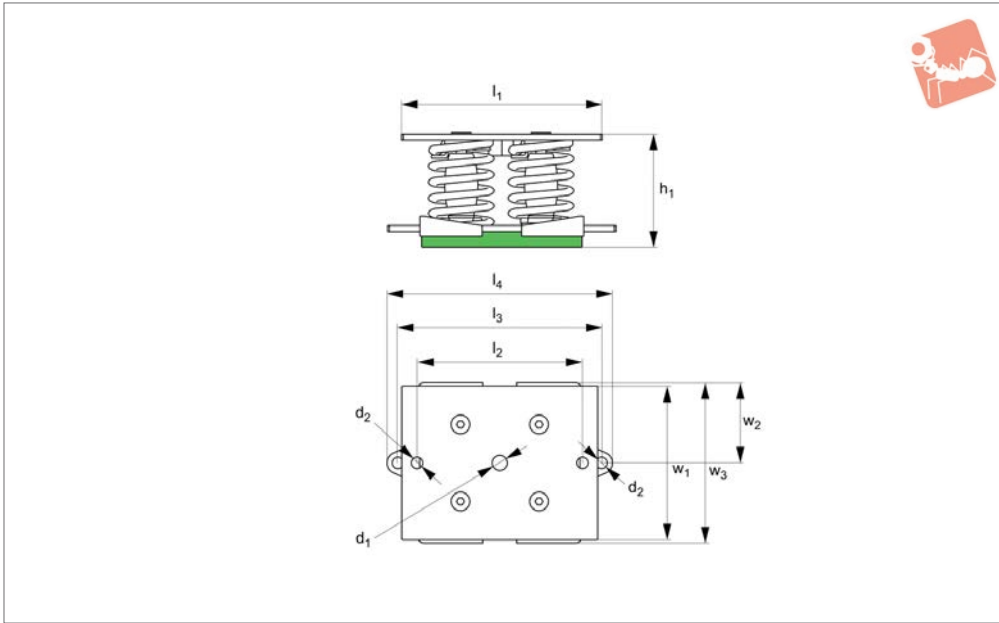


# Spring Vibration Damper four spring four spring



### 61925

ANTI-VIBRATION



#### Material

High tensile steel with sylomer anti-slide base.

porate, isolates the mid-high frequency vibrations which are transmitted through the coils of the metal springs.

compressors, pump and pumping equipment and acoustic isolation of premises.

#### Technical Notes

The sylomer mat that these dampers incor-

#### Tips

These are used in sectors such as air

Order No.	Spring colour	$l_1$	$h$	$d_1$	$w_1$	$d_2$	$l_2$	$l_3$	$l_4$	$w_2$	$w_3$	Compression max.	Load kgf max.	Weight kg
61925.W0160	Blue	200	136	M16	150	12	170	190	214	75	156	30	600	6.41
61925.W0161	White	200	136	M16	150	12	170	190	214	75	156	30	800	6.57
61925.W0162	Black	200	136	M16	150	12	170	190	214	75	156	30	1000	6.70
61925.W0163	Cream	200	136	M16	150	12	170	190	214	75	156	30	1400	7.64
61925.W0200	Light Grey	250	136	M20	200	14	210	260	288	100	206	18	2000	12.10
61925.W0201	Green	250	136	M20	200	14	210	260	288	100	206	18	3000	13.96