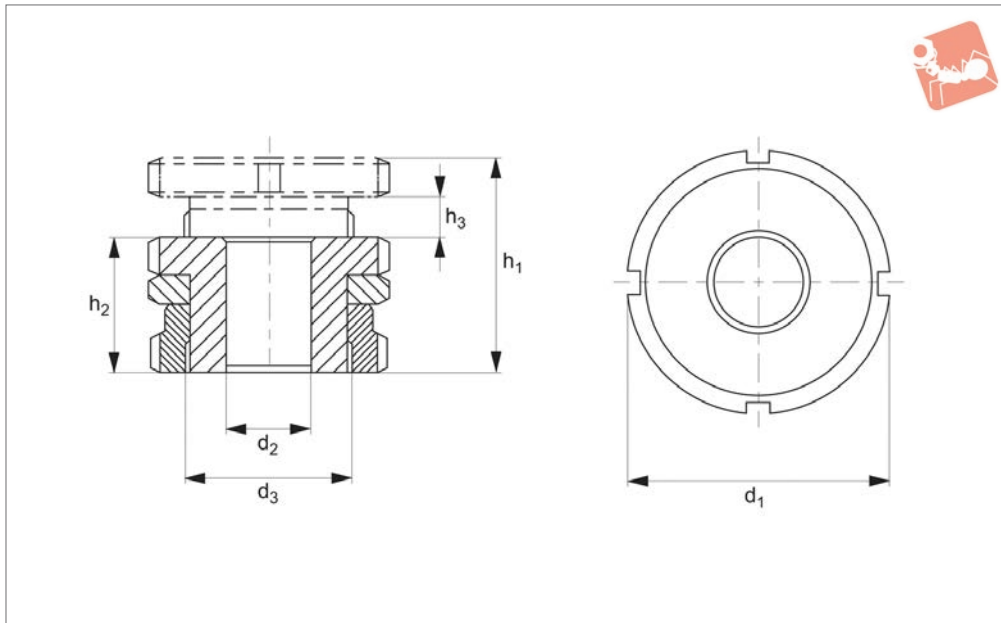




# Precision Adjuster with locking nut

# Precision Level- ling Adjusters



## 62002

PRECISION LEVELLING ADJUSTERS

### Material

Steel (type 42 CrMo4 V, 1.7225) zinc plated or stainless steel A1 (A4 on request).

### Technical Notes

After setting the height, the structure can be bolted down using a suitable 8,8

strength bolt.

The net load that the unit can carry is the maximum load less the tightening torque recommended for the bolt. Designed for applications with limited space. Height adjustment is between 4 and 10mm. The

lock nut included enables the adjuster to be secured in a present position and is recommended for use on applications with a dynamic load or where fasteners are not used.

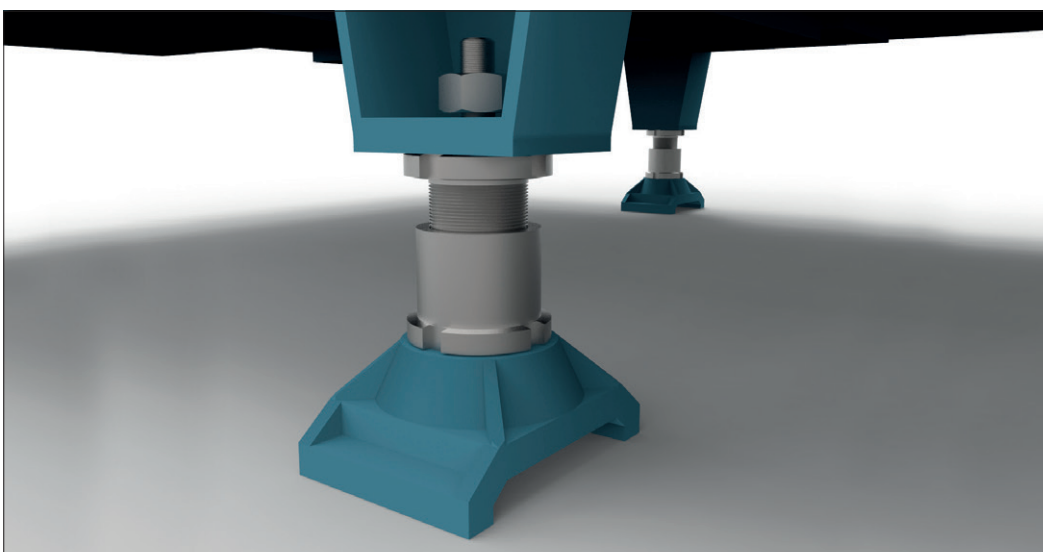
Order No.	Material	For bolt	$h_1$	$h_2$	$h_3$	$d_1$	$d_2$	$d_3$	Load with bolt kN max.	Load w/o bolt kN max.
62002.W0038	Steel	M 4	24	20	4	25	4.5	M15x1,0	36.00	40.00
62002.W0039	Steel	M 5	24	20	4	25	5.5	M15x1,0	33.40	40.00
62002.W0040	Steel	M 6	24	20	4	25	6.6	M15x1,0	30.70	40.00
62002.W0050	Steel	M 6	29	24	5	32	6.6	M20x1,0	55.70	65.00
62002.W0051	Steel	M 8	29	24	5	32	9.0	M20x1,0	48.00	65.00
62002.W0052	Steel	M10	29	24	5	32	11.0	M20x1,0	37.90	65.00
62002.W0070	Steel	M10	36	29	7	45	11.0	M30x1,5	92.90	120.00
62002.W0071	Steel	M12	36	29	7	45	13.5	M30x1,5	80.40	120.00
62002.W0072	Steel	M16	36	29	7	45	17.5	M30x1,5	45.50	120.00
62002.W0090	Steel	M16	46	37	9	58	17.5	M40x1,5	136.00	210.00
62002.W0091	Steel	M20	46	37	9	58	22.0	M40x1,5	90.00	210.00
62002.W0092	Steel	M24	46	37	9	58	26.0	M40x1,5	37.00	210.00
62002.W0100	Steel	M20	54	44	10	70	22.0	M50x1,5	210.00	330.00
62002.W0101	Steel	M24	54	44	10	70	26.0	M50x1,5	157.00	330.00
62002.W0102	Steel	M30	54	44	10	70	33.0	M50x1,5	53.00	330.00
62002.W0538	Stainless Steel	M 4	24	20	4	25	4.5	M15x1,0	24.14	27.10
62002.W0539	Stainless Steel	M 5	24	20	4	25	5.5	M15x1,0	24.14	27.10
62002.W0540	Stainless Steel	M 6	24	20	4	25	6.6	M15x1,0	20.26	27.10
62002.W0550	Stainless Steel	M 6	29	24	5	32	6.6	M20x1,0	36.56	43.40
62002.W0551	Stainless Steel	M 8	29	24	5	32	9.0	M20x1,0	30.86	43.40
62002.W0552	Stainless Steel	M10	29	24	5	32	11.0	M20x1,0	23.41	43.40
62002.W0570	Stainless Steel	M10	36	29	7	45	11.0	M30x1,5	64.01	84.00
62002.W0571	Stainless Steel	M12	36	29	7	45	13.5	M30x1,5	54.82	84.00
62002.W0572	Stainless Steel	M16	36	29	7	45	17.5	M30x1,5	28.90	84.00
62002.W0590	Stainless Steel	M16	46	37	9	58	17.5	M40x1,5	92.90	148.00
62002.W0591	Stainless Steel	M20	46	37	9	58	22.0	M40x1,5	59.08	148.00
62002.W0592	Stainless Steel	M24	46	37	9	58	26.0	M40x1,5	20.30	148.00
62002.W0600	Stainless Steel	M20	54	44	10	70	22.0	M50x1,5	136.08	225.00
62002.W0601	Stainless Steel	M24	54	44	10	70	26.0	M50x1,5	59.08	225.00
62002.W0602	Stainless Steel	M30	54	44	10	70	33.0	M50x1,5	20.60	225.00



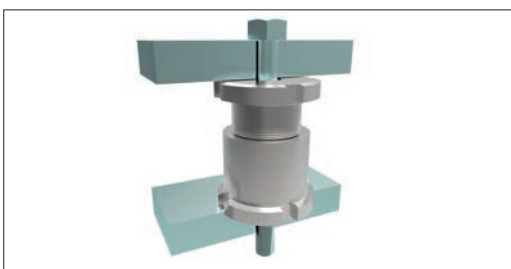
## Advantages

- Precision adjusting and re-adjusting.
- Operational under heavy loads.
- Fast installation.
- Greater vertical alignment (from 4 to 105mm).
- Compensation for non-parallel bearing surfaces.
- Suitable for static and dynamic loads.
- Can be anchored to foundation.

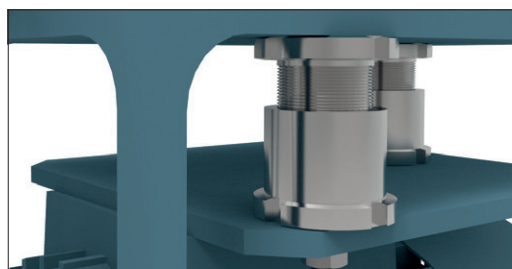
## Applications



**Grounded field mount** - Precision Leveller no. 62060 in use on a fully metal encapsulated gas-insulated high voltage switch.



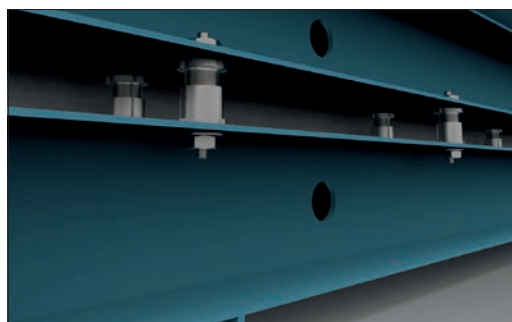
**Test stand** - Precision Levellers provide adjustment for the connection shaft between motor and transmission.



**Drive train application** - in this application Wixroyd Precision Levellers are used to adjust the rig to ensure correct tension of the V-belt, and to provide full support of the top mounted electric drive motor.



**Plummer blocks** - even multiple bearings can be levelled easily and precisely, here part no. 62000 is in use.



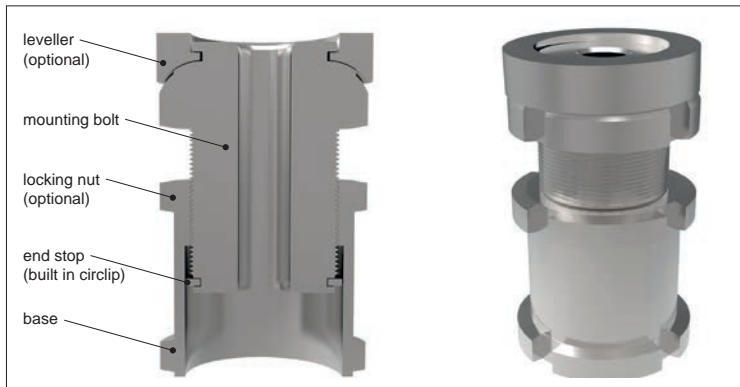
**Extruder** - precision adjustment of an extruder with leveller no. 62008.



### Design features

Wixroyd Precision Levelling Adjusters enable accurate levelling, locating and adjusting of motors, machinery and much more, under heavy loads.

There are three key features to the design, firstly the fine threaded mounting bolt, secondly the threaded nut base and thirdly the end-stop. The fine thread of the mounting bolt and base provides precise adjustment, as well as easy re-adjustment by means of a hook spanner to DIN 1810A, see part no. 95400.



**62000** - Designed for applications with limited space - height adjustment is between 4 and 14mm.



**62040** - Designed for applications requiring both height adjustment (from 4 to 14mm) and precise adjustment of non-parallel surfaces, with a maximum angle of tilt 4°.



**62060** - Designed for applications where a wide adjustment range is required - height adjustment equal to 15 to 55mm.



**62080** - Designed for applications with a dynamic load, or where no fasteners are used. The locknut enables locking of the adjuster in the pre-set position.



**62100** - For applications requiring both height adjustment (from 15 to 55mm) and precise adjustment of non-parallel surfaces, with a max. angle of tilt 4°.



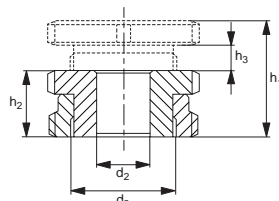
**62120** - The same features as part number 62100, but with the added feature of a locknut to fix adjuster in any position.



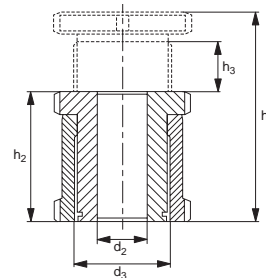
**62140/62160** - Designed for applications requiring precise adjustment of non-parallel surfaces, with a maximum angle tilt 4°. The ball shim has no height adjustment feature.

### Product range

#### Precision adjusters



#### Precision levellers



### Adjusters vs. levellers

Features	62000	62002	62040	62042	62060	62080	62100	62120
Adjustment travel 4-14mm	✓	✓	✓	✓				
Adjustment travel 15-55mm					✓	✓	✓	✓
Lock nut		✓		✓		✓		✓
Slope adjustment up to 4°			✓	✓			✓	✓
Captive screw feature	✓	✓	✓	✓	✓	✓	✓	✓