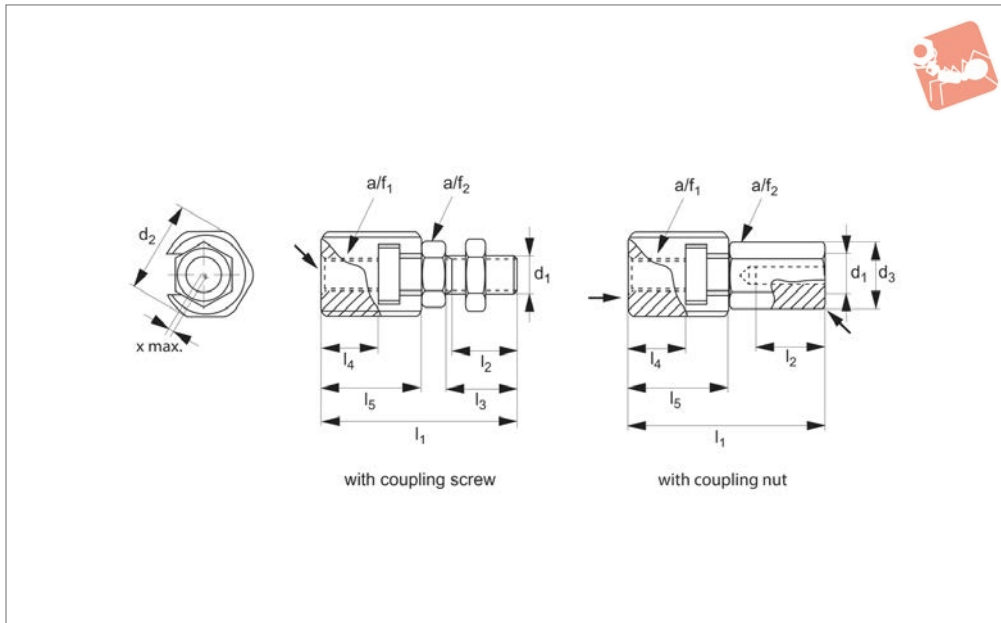
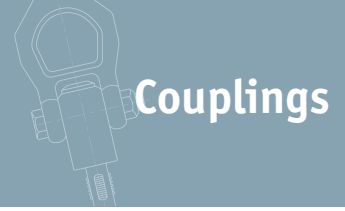




Quick Plug Couplings with radial offset compensation



64500

COUPLINGS

Material

Body: steel, heat-treated, phosphated.
Lock nut: steel, blackened (ISO 4035/8675).

Technical Notes

For quick coupling/uncoupling of components within a linear movement application, with the additional advantage

of compensating for radial off-set between the components. In built adjustment feature of the quick plug coupling means manual adjustment of the coupled units is unnecessary. Coupling via means of a t-slot channel within the coupling nut.

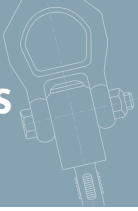
Tips

Can be linked to pneumatic and hydraulic

lifting cylinders in many different applications.

Important note: suitable for linear movement applications, does not transmit any torque.

Order No.	Coupling Type	d ₁	d ₂	d ₃	l ₁ ≈	l ₂ min.	l ₃	l ₄ min.	l ₅	Tensile & compression load kN max.	A/F ₁	A/F ₂	Axial offset x max.	Weight g
64500.W0006	Screw	M_6	21,0		37,5	11,0	14	9,0	18,0	2,5	19	10	0,6	44
64500.W0008	Screw	M_8	26,0		45,0	13,5	17	11,5	22,5	4,5	24	13	0,7	86
64500.W0010	Screw	M10	30,0		56,2	16,0	20	16,0	29,0	6,5	27	17	0,7	147
64500.W0012	Screw	M12	32,5		66,7	21,0	25	17,0	34,0	10,0	30	19	0,8	208
64500.W0016	Screw	M16	39,0		83,0	25,0	30	23,0	42,0	18,0	36	24	1,0	383
64500.W0020	Screw	M20	44,0		93,5	29,0	35	23,5	45,5	30,0	41	30	1,0	571
64500.W0030	Screw	M10 x 1,25	30,0		56,2	16,0	20	16,0	29,0	6,5	27	17	0,7	147
64500.W0032	Screw	M12 x 1,25	32,5		66,7	21,0	25	17,0	34,0	10,0	30	19	0,8	207
64500.W0036	Screw	M16 x 1,50	39,0		83,0	25,0	30	23,0	42,0	18,0	36	24	1,0	384
64500.W0040	Screw	M20 x 1,50	44,0		93,5	29,0	35	23,5	45,5	30,0	41	30	1,0	576
64500.W0056	Nut	M_6	21,0	11,0	37,5	11,0		9,0	18,0	2,5	19	10	0,6	47
64500.W0058	Nut	M_8	26,0	14,4	45,0	13,5		11,5	22,5	4,0	24	13	0,7	91
64500.W0060	Nut	M10	30,0	19,0	56,2	15,0		16,0	29,0	6,5	27	17	0,7	160
64500.W0062	Nut	M12	32,5	21,2	66,7	17,5		17,0	34,0	10,0	30	19	0,8	223
64500.W0066	Nut	M16	39,0	27,0	83,0	22,0		23,0	42,0	18,0	36	24	1,0	401
64500.W0070	Nut	M20	44,0	34,0	93,5	25,0		23,5	45,5	30,0	41	30	1,0	606
64500.W0080	Nut	M10 x 1,25	30,0	19,0	56,2	15,0		16,0	29,0	6,5	27	17	0,7	159
64500.W0082	Nut	M12 x 1,25	32,5	21,2	66,7	17,5		17,0	34,0	10,0	30	19	0,8	221
64500.W0086	Nut	M16 x 1,50	39,0	27,0	83,0	22,0		23,0	42,0	18,0	36	24	1,0	400
64500.W0090	Nut	M20 x 1,50	44,0	34,0	93,5	25,0		23,5	45,5	30,0	41	30	1,0	601



Quick Plug Couplings

with radial offset compensation



COUPLINGS

