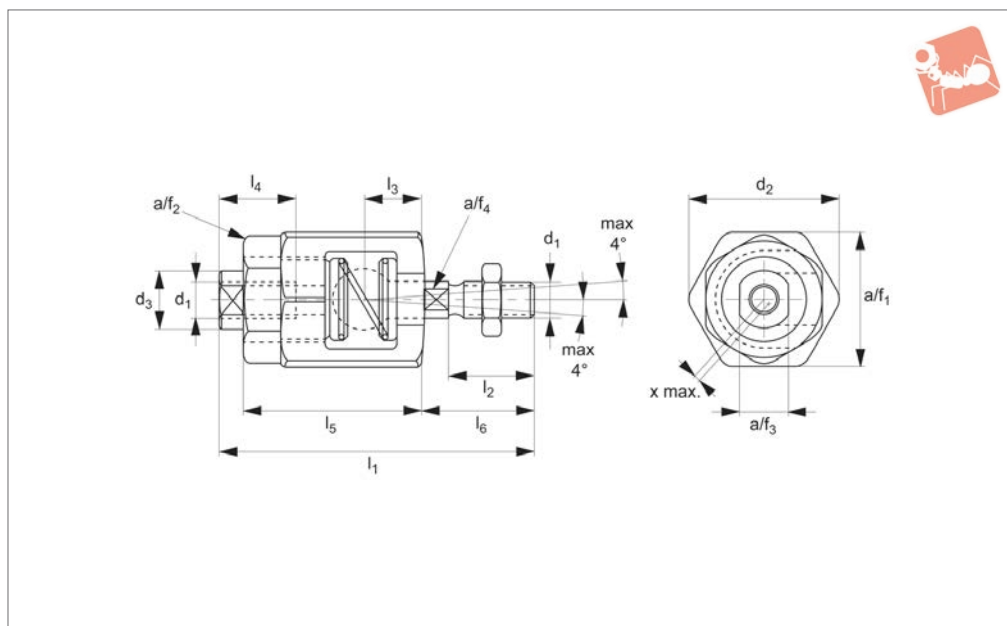
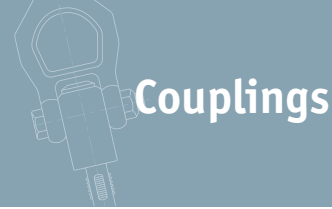




Quick Plug Couplings

with angular radial offset compensation



64700

COUPLINGS

Material

Body: steel, heat-treated, tempered, phosphated.

Nut: steel, heat-treated, phosphated.

Spring: stainless steel.

Coupling part: steel, heat-treated, nitrided, blackened.

Lock nut: steel, blackened (ISO 4035/8675).

Technical Notes

Compensates for both radial off-set and

angular off-set between the components, making it ideal for applications with non-aligned linear components. Inbuilt adjustment feature of the quick plug coupling means manual adjustment of the coupled units is unnecessary. Coupling via means of a t-slot channel within the coupling nut.

Tips

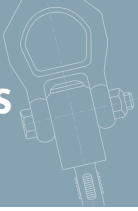
Solid and compact design, no loose elements. Can be linked to pneumatic and hydraulic lifting cylinders in many different

applications.

Important note: suitable for linear movement applications, does not transmit any torque.

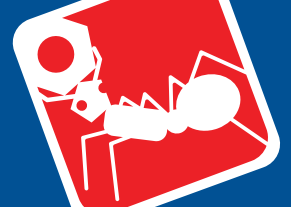
Order No.	d ₁	d ₂	d ₃	l ₁ ≈	l ₂	l ₃	Weight g
64700.W0406	M 6	24.5	9.6	52	14	9.5	75
64700.W0408	M 8	30.0	15.0	63	18	11.5	137
64700.W0410	M10	44.0	21.0	81	22	16.0	401
64700.W0412	M12	44.0	21.0	85	26	16.0	405
64700.W0416	M16	60.0	32.0	121	34	26.0	1127
64700.W0420	M20	60.0	32.0	129	42	26.0	1152
64700.W0430	M10x1,25	44.0	21.0	81	22	16.0	403
64700.W0432	M12x1,25	44.0	21.0	85	26	16.0	406
64700.W0436	M16x1,50	60.0	32.0	121	34	26.0	1128
64700.W0440	M20x1,50	60.0	32.0	129	42	26.0	1155

Order No.	l ₄ min.	l ₅	l ₆	Radial offset compensation max.	Tensile load kN max.	A/F ₁	A/F ₂	A/F ₃	A/F ₄
64700.W0406	13	29	18.5	0.6	2.5	22	19	8	5
64700.W0408	16	33	23.5	0.6	4.5	27	24	13	7
64700.W0410	24	43	30.5	0.7	6.5	41	36	18	12
64700.W0412	24	43	34.5	0.7	10.0	41	36	18	12
64700.W0416	34	62	45.0	1.0	18.0	55	46	27	18
64700.W0420	34	62	53.0	1.0	30.0	55	46	27	18
64700.W0430	24	43	30.5	0.7	6.5	41	36	18	12
64700.W0432	24	43	34.5	0.7	10.0	41	36	18	12
64700.W0436	34	62	45.0	1.0	18.0	55	46	27	18
64700.W0440	34	62	53.0	1.0	30.0	55	46	27	18



Quick Plug Couplings

with angular radial offset compensation



COUPLINGS

