

64775

COUPLINGS

Material

Body: steel S45C, nickel plated.
Pin and Spring: stainless steel, SUS304

Technical Notes

For quick coupling/uncoupling of components within a linear movement application. Coupling via means of a 90° turn of coupling into the cam locking receiver. Please order receivers separately, see part nos. 64780 and 64782. Temperature resistant to 200 °C

Tips

Can be linked to pneumatic and hydraulic

lifting cylinders in many different applications.

Important Notes

Suitable only for linear movement applications, does not transmit any torque.

Actuation:

- Following installation dimensions for both coupling and receiver in introductory pages.
- Once coupling and receiver are correctly installed, align male coupling to female receiver, paying attention to correctly

align pins on the coupling's shaft to holes in receiver.

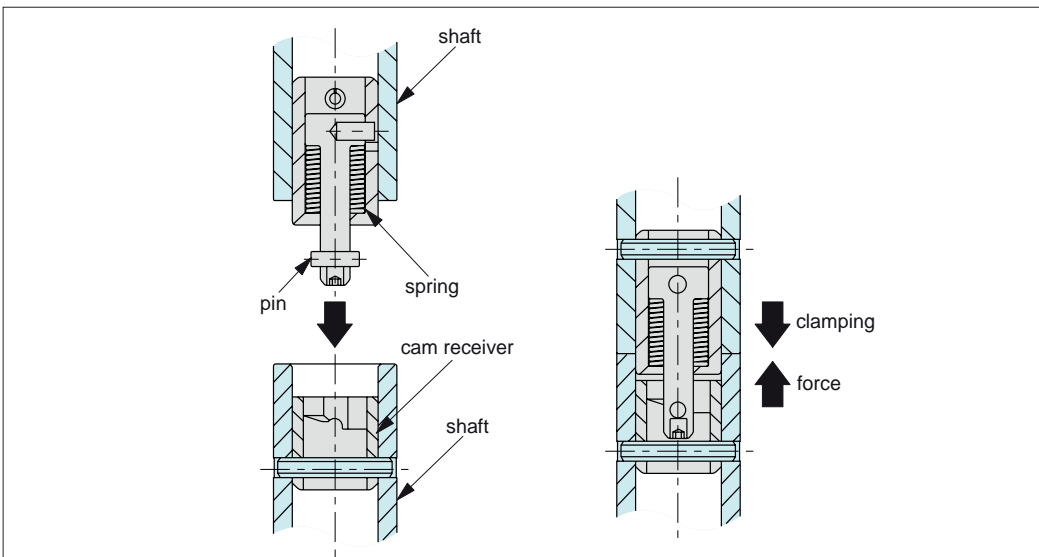
- Engage coupling and receiver, to lock turn shaft or block 90 degrees to clamp.
- When properly locked an audible „click“ is heard.
- When properly installed, repeatability of upto +/- 0.08mm is achievable.
- To release, reverse steps described above.

Order No.	d_1 -0.04 -0.08	d_2 -0.04 -0.08	d_3	h_1	h_2	l_1	Shear strength N	Tensile strength N	Clamping force N max.	Weight g
64775.W0514	5	14	3	23.5	20	9.5	1800	1200	30	25



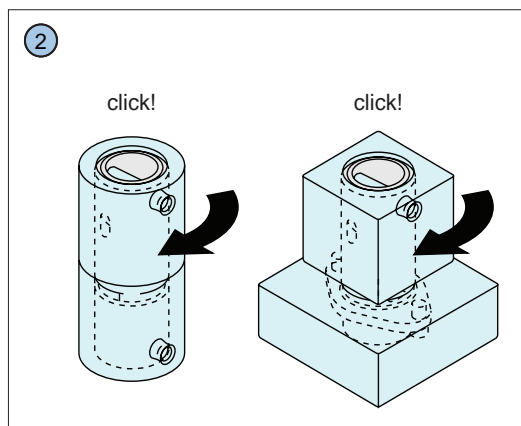
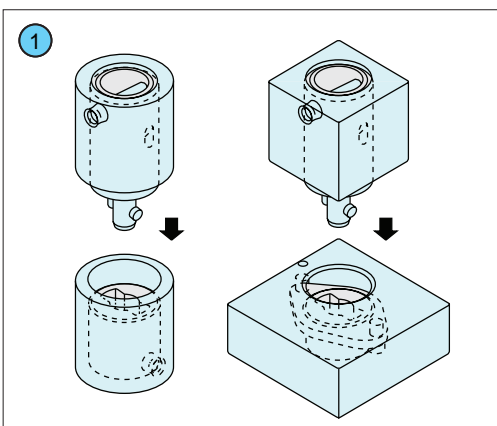
Operating Principle

When the male quick plug coupling is fully inserted into the receiver and actuated, the internal spring is compressed to clamp the shaft.



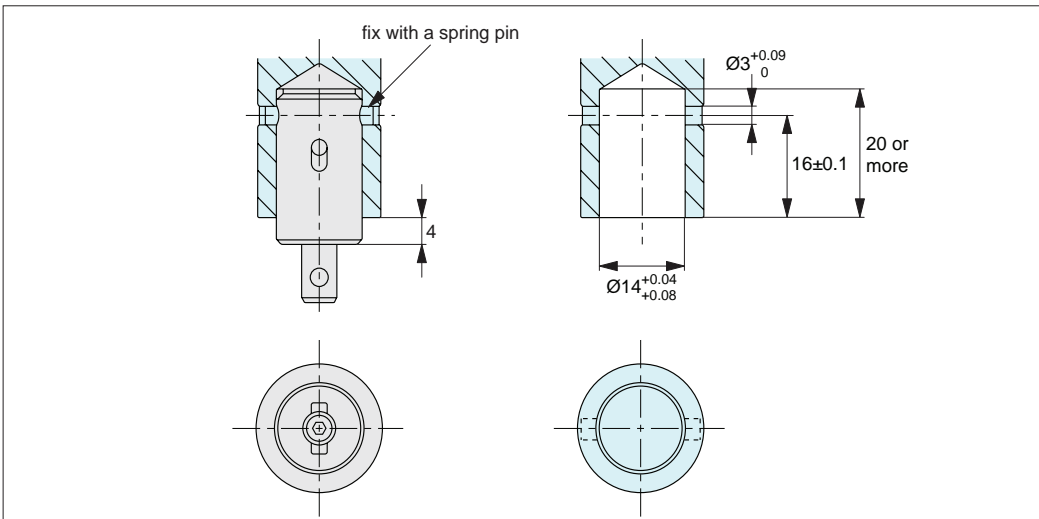
Operating Instructions

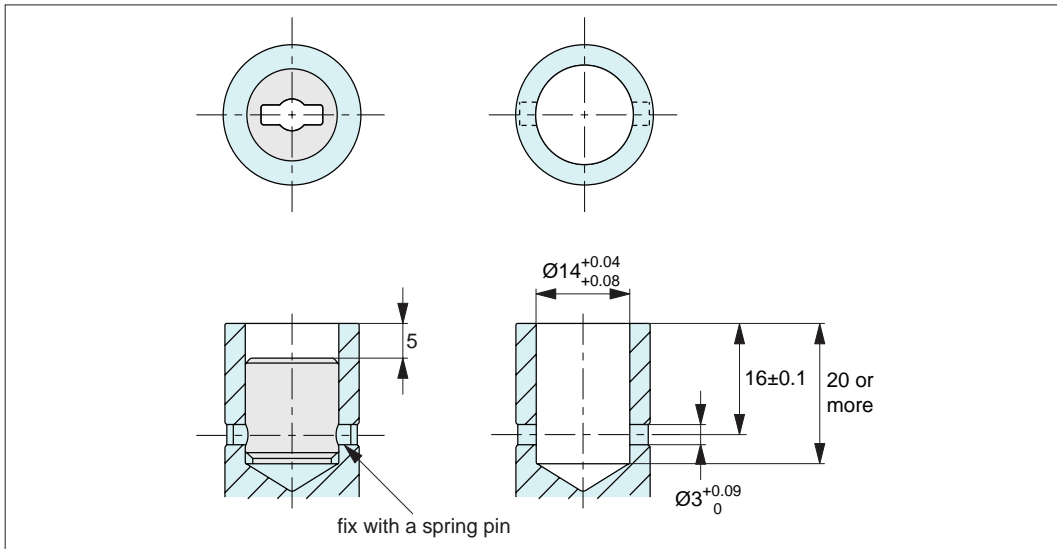
- 1 Insert the shaft into the keyway of cam receiver.
- 2 Rotate the shaft block 90° to clamp the element. An audible click can be heard when clamped. For unclamping, reverse these steps.



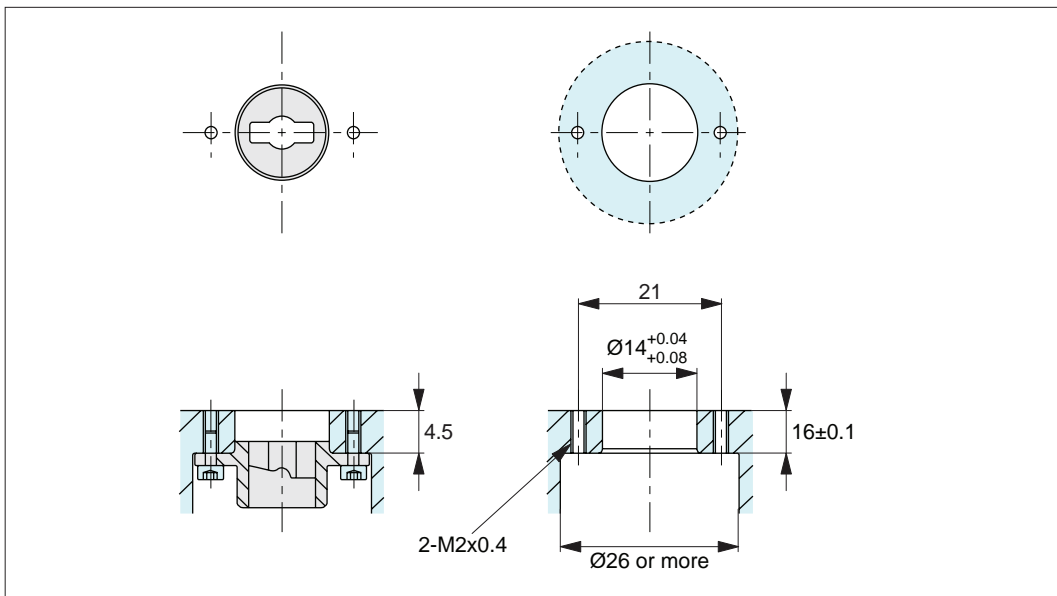
Operating Dimensions

How to mount shaft coupling clamp



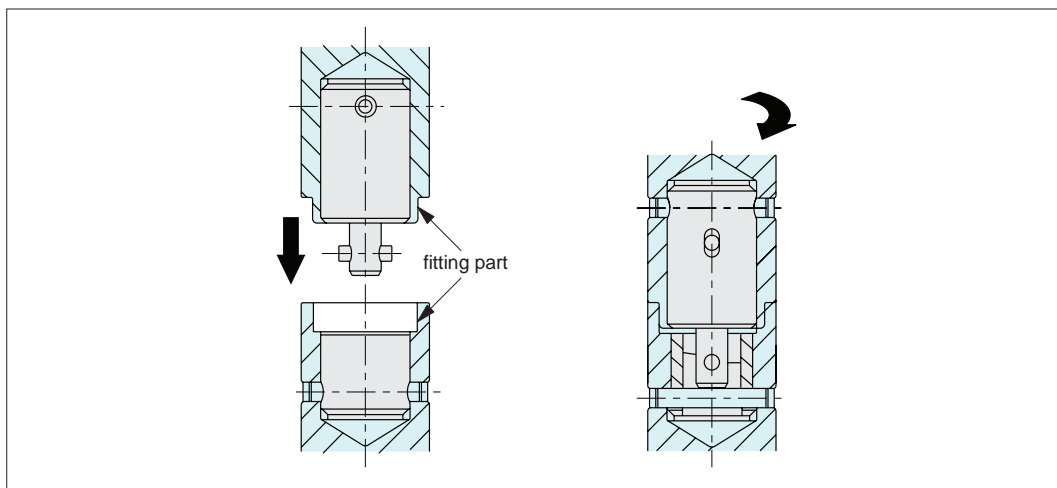


How to mount receiver (shaft mount)



How to mount receiver (plate mount)

Repeatability



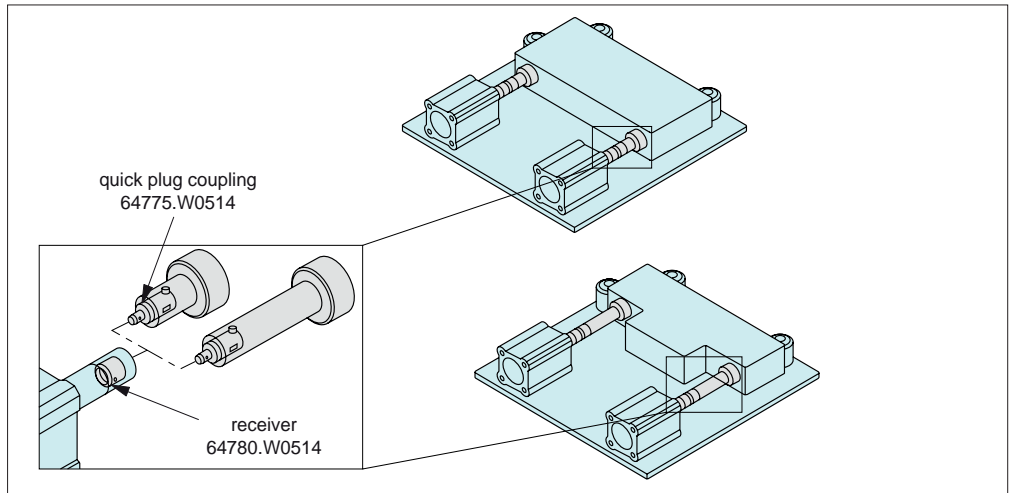
Prepare male and female fittings for highly accurate locating. Repeatability of ± 0.08 is achievable.

ov-W64775-A-T-W64780-A-T-b-rmh- Updated -31-10-2022

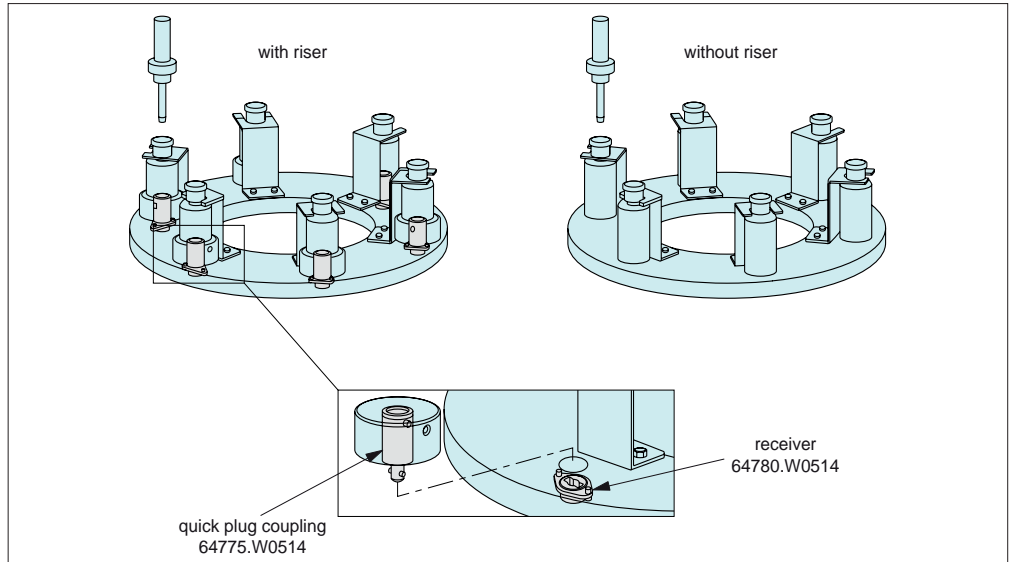


Applications

Changes of thrust pads



Changes of riser



Notes

Pay attention to the direction of holes for spring pins.

