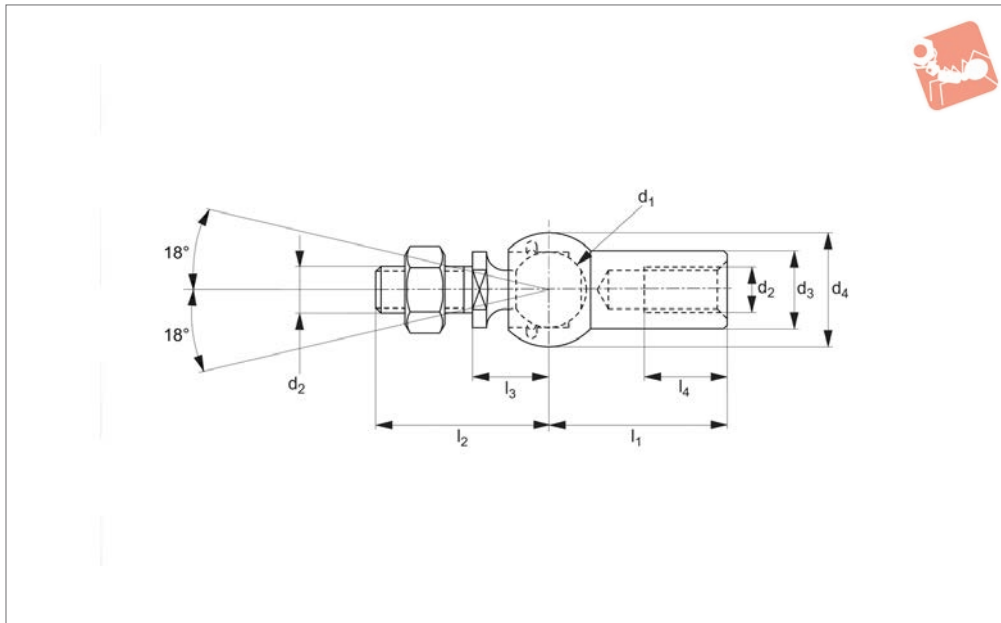




Axial Ball and Socket Joints

left hand thread

Ball and Socket Joints



65522

BALL AND SOCKET JOINTS

Material

Steel, silver zinc plated, ball stud:
minimum tensile strength $R_m=600N/mm^2$.
Housing: minimum tensile strength

$R_m=500N/mm^2$.

Technical Notes

Similar to DIN 71802, *M14x1,5 is a fine

pitch thread.

Tips

For stainless steel version see 65526.

Order No.	Thread hand	d_1 tol. h9	d_2	l_1	d_3 ± 0.5	d_4 ± 0.5	l_2	l_3	l_4	Extraction force N	Weight g
65522.W0005	Left	8	M5	22	8	12.8	19.2	9	10.2	30	15.2
65522.W0006	Left	10	M6	25	10	14.8	23.5	11	11.5	40	25.2
65522.W0008	Left	13	M8	30	13	19.3	29.5	13	14.0	60	53.1
65522.W0010	Left	16	M10	35	16	24.0	36.0	16	15.5	80	103.8
65522.W0014	Left	19	M14x1,5*	45	22	30.0	48.0	20	21.5	100	220.9