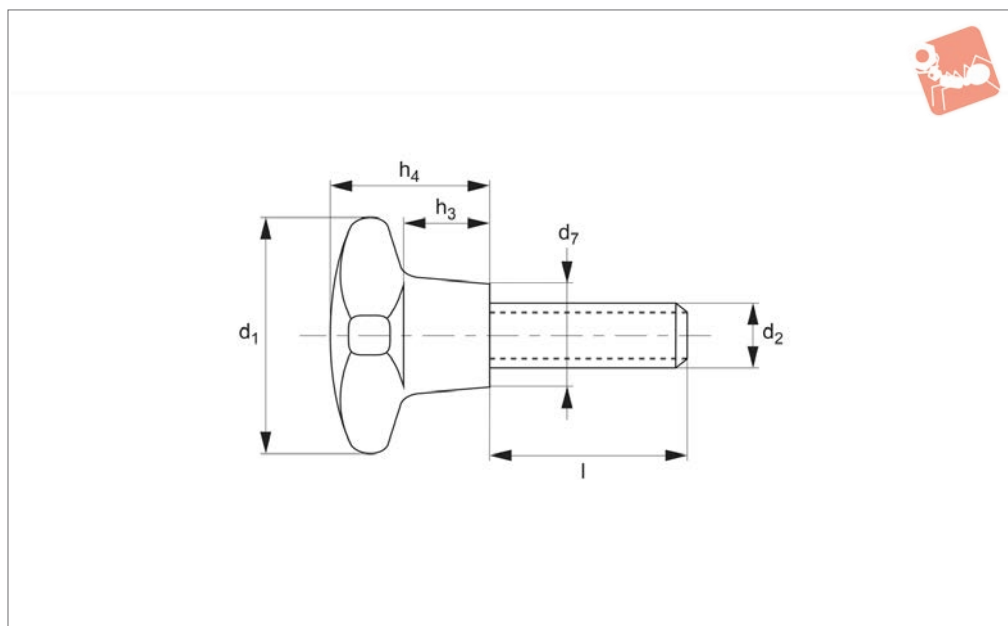




Palm Grips with grub screw



Grips



70080

GRIPS

Material

Duroplast PF 31, black.

Grub screw: steel, galvanised or stainless steel A2.

Technical Notes

Produced to DIN 7708.

Special designs e.g. different lengths or grub screws in brass, or stainless steel can

be made to order depending on quantity.
Temperature range up to 110°C.

Order No.	Material	d ₁	d ₂	d ₇	h ₃	h ₄	l ₁	Weight g
70080.W0051	Steel	25	M 5	12	8	16	10	6.7
70080.W0052	Steel	25	M 5	12	8	16	15	7.3
70080.W0053	Steel	25	M 5	12	8	16	20	7.5
70080.W0054	Steel	25	M 5	12	8	16	25	8.1
70080.W0055	Steel	25	M 5	12	8	16	30	8.9
70080.W0061	Steel	32	M 6	14	10	20	15	11.0
70080.W0062	Steel	32	M 6	14	10	20	20	12.0
70080.W0063	Steel	32	M 6	14	10	20	25	15.0
70080.W0064	Steel	32	M 6	14	10	20	30	16.0
70080.W0065	Steel	32	M 6	14	10	20	40	16.0
70080.W0081	Steel	40	M 8	18	13	25	20	24.0
70080.W0082	Steel	40	M 8	18	13	25	25	25.0
70080.W0083	Steel	40	M 8	18	13	25	30	26.0
70080.W0084	Steel	40	M 8	18	13	25	40	30.0
70080.W0085	Steel	40	M 8	18	13	25	50	32.0
70080.W0101	Steel	50	M10	22	20	32	25	41.0
70080.W0102	Steel	50	M10	22	20	32	30	48.0
70080.W0103	Steel	50	M10	22	20	32	40	51.0
70080.W0104	Steel	50	M10	22	20	32	50	56.0
70080.W0105	Steel	50	M10	22	20	32	60	69.0
70080.W0121	Steel	63	M12	26	25	40	30	86.0
70080.W0122	Steel	63	M12	26	25	40	40	93.0
70080.W0123	Steel	63	M12	26	25	40	50	99.0
70080.W0124	Steel	63	M12	26	25	40	60	105.0
70080.W0125	Steel	63	M12	26	25	40	80	112.0
70080.W0161	Steel	80	M16	35	30	50	40	198.0
70080.W0162	Steel	80	M16	35	30	50	50	175.0
70080.W0163	Steel	80	M16	35	30	50	60	219.0
70080.W0164	Steel	80	M16	35	30	50	80	251.0