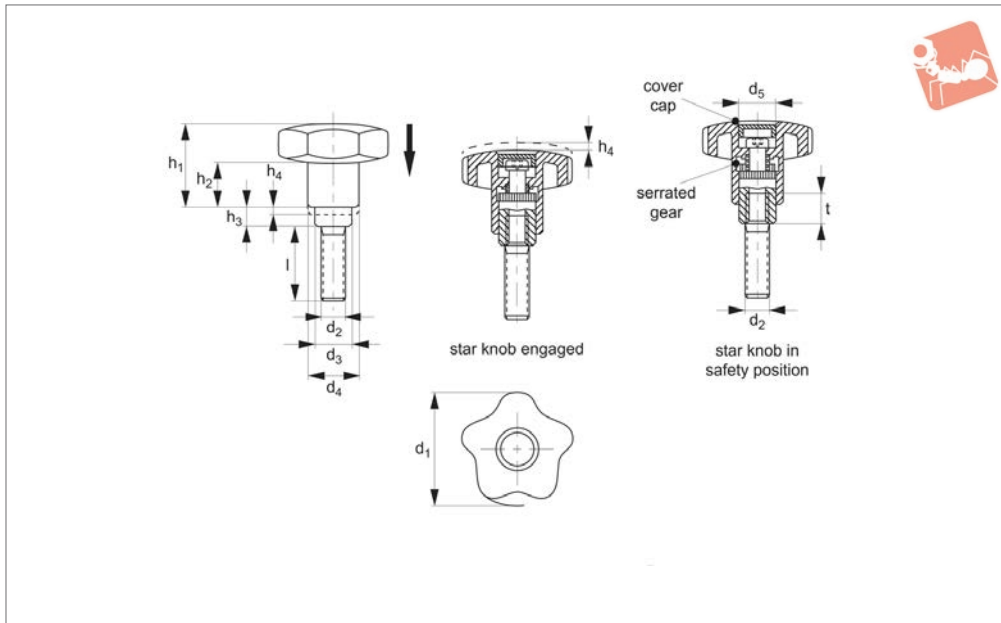




Free Running Safety Star Grip, with free-running when not engaged

Clamping Levers



70310

CLAMPING LEVERS

Material

Plastic technopolymer (Polyamide PA)
glass fibre reinforced, black.
Thread bush, steel.
Inner parts: zinc die cast.

dental loosening or adjusting of the knob
may lead to accidents.
Temperature resistant to +130°C.

**pushing of the star knob, the two
serrations get engaged so that the knob
can be loosened/ tightened. After relea-
sing, the two serrations are disengaged
by a spring.**

Tips

**Unique safety handle.
When not in use, star knob is not
engaged with the threaded insert, i.e.
the knob is free-running. Only after axial**

Technical Notes

Suitable for applications where an acci-

Order No.	d ₁	d ₂	l	d ₃	d ₄	d ₅	h ₁	h ₂	h ₃	h ₄ stroke
70310.W0061	40	M 6	20	13.5	18	13.5	30	14	7	2.5
70310.W0062	40	M 6	25	13.5	18	13.5	30	14	7	2.5
70310.W0063	40	M 6	32	13.5	18	13.5	30	14	7	2.5
70310.W0064	40	M 6	40	13.5	18	13.5	30	14	7	2.5
70310.W0081	40	M 8	20	13.5	18	13.5	30	14	7	2.5
70310.W0082	40	M 8	25	13.5	18	13.5	30	14	7	2.5
70310.W0083	40	M 8	32	13.5	18	13.5	30	14	7	2.5
70310.W0084	40	M 8	40	13.5	18	13.5	30	14	7	2.5
70310.W0085	50	M 8	25	16.0	22	16.5	34	15	8	3.5
70310.W0086	50	M 8	32	16.0	22	16.5	34	15	8	3.5
70310.W0087	50	M 8	40	16.0	22	16.5	34	15	8	3.5
70310.W0088	50	M 8	50	16.0	22	16.5	34	15	8	3.5
70310.W0101	50	M10	25	16.0	22	16.5	34	15	8	3.5
70310.W0102	50	M10	32	16.0	22	16.5	34	15	8	3.5
70310.W0103	50	M10	40	16.0	22	16.5	34	15	8	3.5
70310.W0104	50	M10	50	16.0	22	16.5	34	15	8	3.5