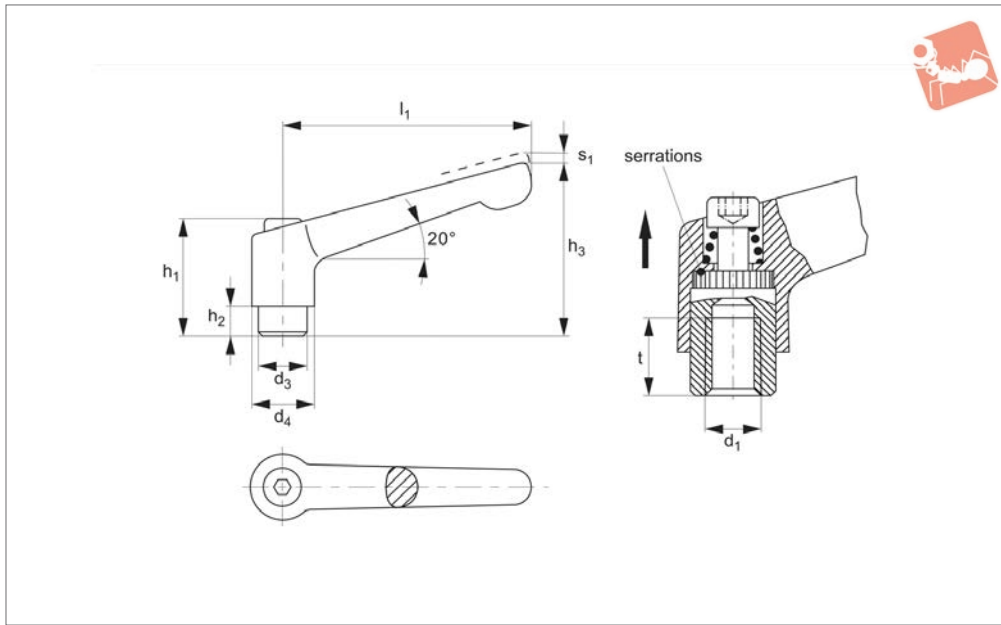




Adjustable Clamping Lever

threaded bore - stainless

Clamping Levers



74380

CLAMPING LEVERS

Material

Stainless steel, 1.4308 (AISI CF-8). Matte blasted.

Inner parts: stainless, 1.4305.

Screw & spring: stainless, 1.4300.

disengaged. The handle can be positioned by the serrations, and the threaded insert can be exchanged. Upon releasing the handle, the serrations are automatically re-engaged.

ronments, such as food processing, chemical industries etc.

Technical Notes

By lifting the lever, the serrations are

Tips

Ideal for applications with aggressive envi-

Order No.	l_1	d_1	d_3	d_4	h_1	h_2	h_3	t min.	Stroke s_1	Weight g
74380.W0111	45	M 5	10.0	13.0	24.5	4.0	35	9	3.5	37
74380.W0121	45	M 6	10.0	13.0	24.5	4.0	35	9	3.5	30
74380.W0311	63	M 6	13.5	17.5	31.0	6.5	45	11	4.0	80
74380.W0321	63	M 8	13.5	17.5	31.0	6.5	45	11	4.0	50
74380.W0411	78	M 8	16.0	21.0	36.0	8.0	55	14	4.0	140
74380.W0421	78	M10	16.0	21.0	36.0	8.0	55	14	4.0	140