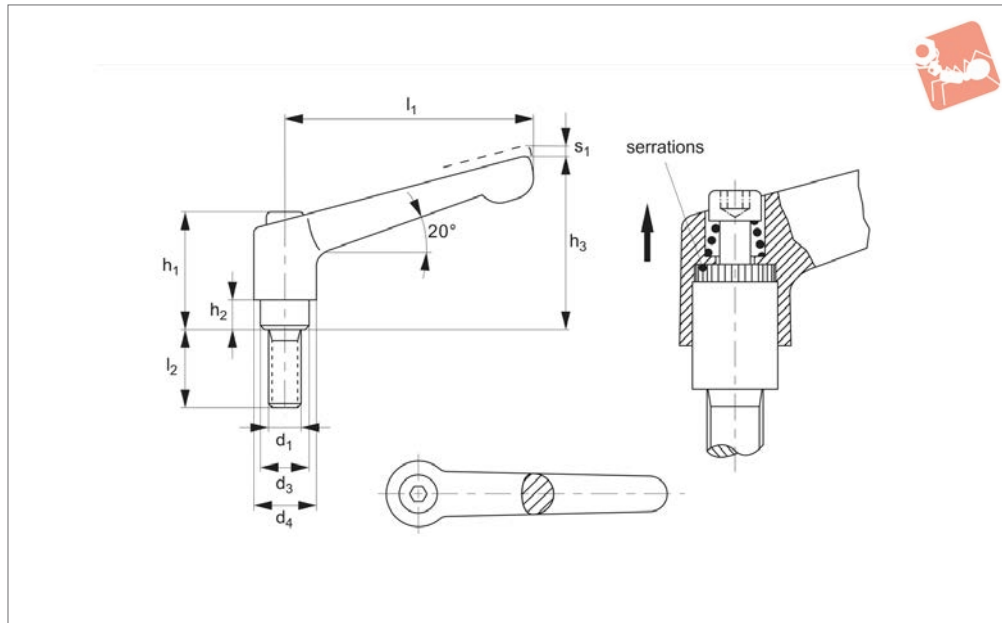




Adjustable Clamping Levers with grub screw - stainless

Clamping Levers



74390

CLAMPING LEVERS

Material

Stainless steel, 1.4308 (AISI CF-8). Matte blasted.

Inner parts: stainless, 1.4305.

Screw & spring: stainless, 1.4300.

disengaged. The handle can be positioned by the serrations, and the threaded insert can be exchanged. Upon releasing the handle, the serrations are automatically re-engaged.

ronments, such as food processing, chemical industries etc.

Technical Notes

By lifting the lever, the serrations are

Tips

Ideal for applications with aggressive envi-

Order No.	l_1	d_1	d_3	d_4	h_1	h_2	h_3	l_2	Stroke s_1
74390.W0041	45	M 5	10.0	13.0	24.5	4.0	35	12	3.5
74390.W0051	45	M 5	10.0	13.0	24.5	4.0	35	16	3.5
74390.W0061	45	M 5	10.0	13.0	24.5	4.0	35	20	3.5
74390.W0071	45	M 5	10.0	13.0	24.5	4.0	35	25	3.5
74390.W0081	45	M 5	10.0	13.0	24.5	4.0	35	32	3.5
74390.W0091	45	M 5	10.0	13.0	24.5	4.0	35	40	3.5
74390.W0099	45	M 5	10.0	13.0	24.5	4.0	35	50	3.5
74390.W0141	45	M 6	10.0	13.0	24.5	4.0	35	12	3.5
74390.W0151	45	M 6	10.0	13.0	24.5	4.0	35	16	3.5
74390.W0161	45	M 6	10.0	13.0	24.5	4.0	35	20	3.5
74390.W0171	45	M 6	10.0	13.0	24.5	4.0	35	25	3.5
74390.W0181	45	M 6	10.0	13.0	24.5	4.0	35	32	3.5
74390.W0191	45	M 6	10.0	13.0	24.5	4.0	35	40	3.5
74390.W0199	45	M 6	10.0	13.0	24.5	4.0	35	50	3.5
74390.W0221	63	M 6	13.5	17.5	31.0	6.5	45	16	4.0
74390.W0231	63	M 6	13.5	17.5	31.0	6.5	45	20	4.0
74390.W0241	63	M 6	13.5	17.5	31.0	6.5	45	25	4.0
74390.W0251	63	M 6	13.5	17.5	31.0	6.5	45	32	4.0
74390.W0261	63	M 6	13.5	17.5	31.0	6.5	45	40	4.0
74390.W0271	63	M 6	13.5	17.5	31.0	6.5	45	50	4.0
74390.W0281	63	M 6	13.5	17.5	31.0	6.5	45	63	4.0
74390.W0331	63	M 8	13.5	17.5	31.0	6.5	45	16	4.0
74390.W0341	63	M 8	13.5	17.5	31.0	6.5	45	20	4.0
74390.W0351	63	M 8	13.5	17.5	31.0	6.5	45	25	4.0
74390.W0361	63	M 8	13.5	17.5	31.0	6.5	45	32	4.0
74390.W0371	63	M 8	13.5	17.5	31.0	6.5	45	40	4.0
74390.W0381	63	M 8	13.5	17.5	31.0	6.5	45	50	4.0
74390.W0391	63	M 8	13.5	17.5	31.0	6.5	45	63	4.0
74390.W0441	78	M 8	16.0	21.0	36.0	8.0	55	20	4.0
74390.W0451	78	M 8	16.0	21.0	36.0	8.0	55	25	4.0
74390.W0461	78	M 8	16.0	21.0	36.0	8.0	55	32	4.0



Order No.	l_1	d_1	d_3	d_4	h_1	h_2	h_3	l_2	Stroke s_1
74390.W0471	78	M 8	16.0	21.0	36.0	8.0	55	40	4.0
74390.W0481	78	M 8	16.0	21.0	36.0	8.0	55	50	4.0
74390.W0491	78	M 8	16.0	21.0	36.0	8.0	55	63	4.0
74390.W0499	78	M 8	16.0	21.0	36.0	8.0	55	80	4.0
74390.W0541	78	M10	16.0	21.0	36.0	8.0	55	20	4.0
74390.W0551	78	M10	16.0	21.0	36.0	8.0	55	25	4.0
74390.W0561	78	M10	16.0	21.0	36.0	8.0	55	32	4.0
74390.W0571	78	M10	16.0	21.0	36.0	8.0	55	40	4.0
74390.W0581	78	M10	16.0	21.0	36.0	8.0	55	50	4.0
74390.W0591	78	M10	16.0	21.0	36.0	8.0	55	63	4.0
74390.W0599	78	M10	16.0	21.0	36.0	8.0	55	80	4.0