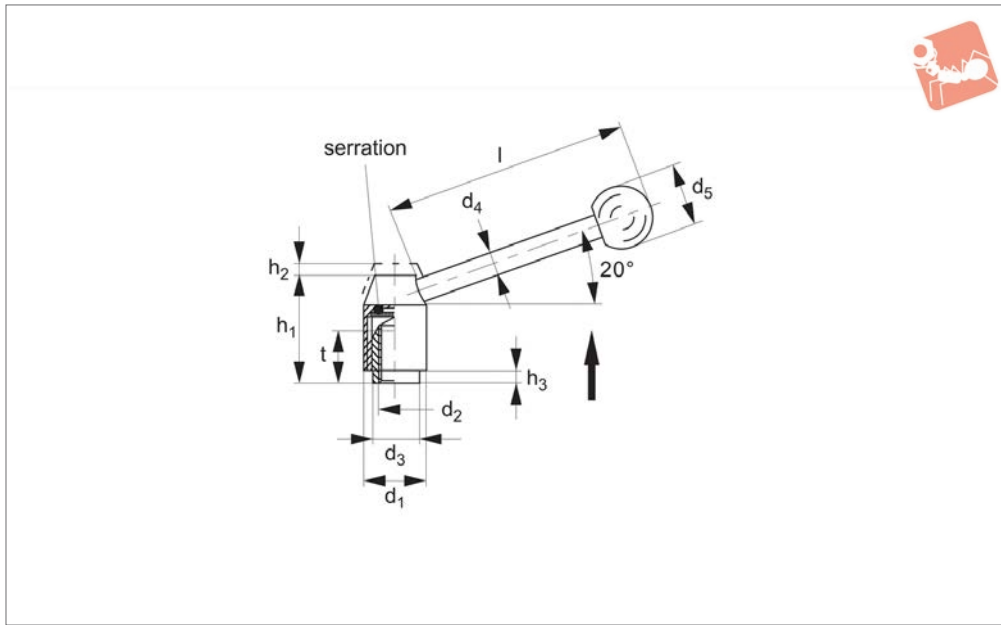




Adjustable Clamping Lever

stainless steel - threaded bore

Clamping Levers



74520

CLAMPING LEVERS

Material

Stainless steel no. 1.4305 (AISI 303), matt shot-blasted. Ball knob DIN 319, plastic black.

a confined space or a particular lever position is required. Pulling the lever, disengages the serrations allowing it to be swivelled to the ideal clamping position. On releasing the lever it will automatically re-engage.

Technical Notes

Ideal whenever parts have to be clamped in

Order No.	d ₁	d ₂	d ₃	d ₄	d ₅	h ₁	h ₂	h ₃	l	t min.	Weight g
74520.W0006	21	M 6	13.5	8	20	33.5	4.0	1.0	70	11	91
74520.W0007	21	M 8	13.5	8	20	33.5	4.0	1.0	70	11	89
74520.W0008	24	M 8	16.0	10	25	40.0	4.5	2.5	96	14	159
74520.W0009	24	M10	16.0	10	25	40.0	4.5	2.5	96	14	153
74520.W0010	28	M10	19.0	12	30	48.5	4.5	4.5	110	17	255
74520.W0012	28	M12	19.0	12	30	48.5	4.5	4.5	110	17	248