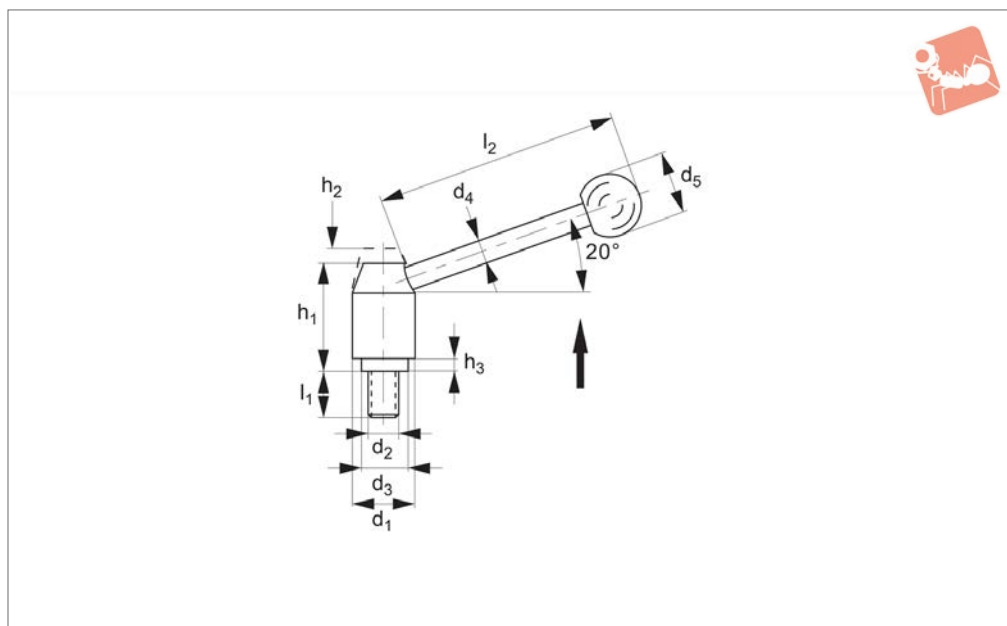




Adjustable Clamping Lever

stainless steel - grub screw

Clamping Levers



74530

CLAMPING LEVERS

Material

Stainless steel no. 1.4305 (AISI 303), matt shot-blasted. Ball knob DIN 319, plastic black.

Technical Notes

Ideal whenever parts have to be clamped in

a confined space or a particular lever position is required. Pulling the lever, disengages the serrations allowing it to be swivelled to the ideal clamping position. On releasing the lever it will automatically re-engage.

Order No.	l_1	d_1	d_2	d_3	d_4	d_5	h_1	h_2 stroke	h_3	$l_2 \approx$	Weight g
74530.W0080	16	21	M 8	13.5	8	20	33.5	4.0	1.0	70	99
74530.W0081	20	21	M 8	13.5	8	20	33.5	4.0	1.0	70	103
74530.W0082	25	21	M 8	13.5	8	20	33.5	4.0	1.0	70	102
74530.W0083	32	21	M 8	13.5	8	20	33.5	4.0	1.0	70	105
74530.W0084	40	21	M 8	13.5	8	20	33.5	4.0	1.0	70	112
74530.W0085	50	21	M 8	13.5	8	20	33.5	4.0	1.0	70	109
74530.W0086	63	21	M 8	13.5	8	20	33.5	4.0	1.0	70	114
74530.W0100	20	24	M10	16.0	10	25	40.0	4.5	2.5	96	173
74530.W0101	25	24	M10	16.0	10	25	40.0	4.5	2.5	96	174
74530.W0102	32	24	M10	16.0	10	25	40.0	4.5	2.5	96	177
74530.W0103	40	24	M10	16.0	10	25	40.0	4.5	2.5	96	184
74530.W0104	50	24	M10	16.0	10	25	40.0	4.5	2.5	96	185
74530.W0105	63	24	M10	16.0	10	25	40.0	4.5	2.5	96	195
74530.W0106	80	24	M10	16.0	10	25	40.0	4.5	2.5	96	205
74530.W0120	25	28	M12	19.0	12	30	48.5	4.5	4.5	110	283
74530.W0121	32	28	M12	19.0	12	30	48.5	4.5	4.5	110	287
74530.W0122	40	28	M12	19.0	12	30	48.5	4.5	4.5	110	298
74530.W0123	50	28	M12	19.0	12	30	48.5	4.5	4.5	110	302
74530.W0124	63	28	M12	19.0	12	30	48.5	4.5	4.5	110	312
74530.W0125	80	28	M12	19.0	12	30	48.5	4.5	4.5	110	320